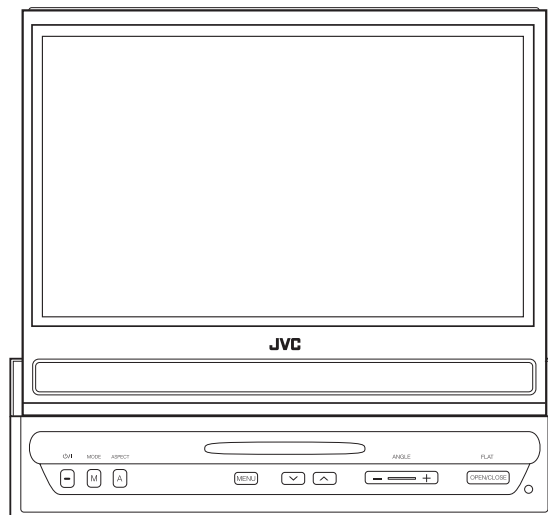


JVC

SERVICE MANUAL

IN-DASH 7-INCH WIDESCREEN MONITOR

KV-M705, KV-M706



KV-M705	
Area suffix	
E	Southern Europe
UT	Taiwan
UN	Indonesia
HUN	Indonesia
U	Other Areas

KV-M706	
Area suffix	
J	Northern America
E	Southern Europe
UT	Taiwan
UN	Indonesia
U	Other Areas

Lead free solder used in the board (material : Sn-Ag-Cu, melting point : 219 Centigrade)

TABLE OF CONTENTS

1	PRECAUTION.....	1-3
2	SPECIFIC SERVICE INSTRUCTIONS.....	1-3
3	DISASSEMBLY.....	1-4
4	ADJUSTMENT.....	1-10
5	TROUBLESHOOTING.....	1-14

SPECIFICATION

Screen		7 inch liquid crystal panel
Number of pixel		336 960 pixels (480 vertical × 234 horizontal × 3)
Drive method		TFT (Thin Film Transistor) active matrix format
Color system		NTSC/PAL
Input	Video	RCA pin × 2 circuits 1 V(p-p), 75 Ω
	Audio	RCA pin × 2 circuits 1.5 V(rms)
Output	Video	RCA pin × 1 circuit 1 V(p-p), 75 Ω
	Audio	RCA pin × 1 circuit 1.5 V(rms)
Other terminal		AV bus (AV BUS)
Power requirement	Operating voltage	DC 14.4 V (11 V to 16 V allowance)
Grounding system		Negative ground
Allowable operating temperature		0°C to +40°C (32°F to 104°F)
Allowable storage temperature		-10°C to +60°C (14°F to 140°F)
Dimensions (W × H × D)	Installation size (approx.)	With sleeve-mounting plate Type B (standard) : 182 mm × 52 mm × 165 mm (7-3/16 in. × 2-1/16 in. × 6-1/2 in.) With sleeve-mounting plate Type A : 182 mm × 52 mm × 160 mm (7-3/16 in. × 2-1/16 in. × 6-5/16 in.)
	Panel size (approx.)	188 mm × 58 mm × 14 mm (7-7/16 in. × 2-5/16 in. × 5/8 in.)
Mass (approx.)		1.6 kg (3.6 lbs)

Design and specifications are subject to change without notice.

SECTION 1 PRECAUTION

1.1 Safety Precautions



CAUTION Burrs formed during molding may be left over on some parts of the chassis. Therefore, pay attention to such burrs in the case of performing repair of this system.

SECTION 2 SPECIFIC SERVICE INSTRUCTIONS

This service manual does not describe SPECIFIC SERVICE INSTRUCTIONS.

SECTION 3 DISASSEMBLY

3.1 Main body section

3.1.1 Removing the front assembly

(See Figs.1 to 3)

- (1) From the both sides of the main body, remove the two screws **A** attaching the front assembly to the main body. (See Fig.1.)
- (2) From the bottom side of the main body, release the two claws **a** attaching the front assembly to the main body. (See Fig.2.)
- (3) Take out the front assembly forward from the main body.
- (4) Lift up the lock lever of the connector [CN471](#) on the front key board and disconnect the card wire from it. (See Fig.3.)

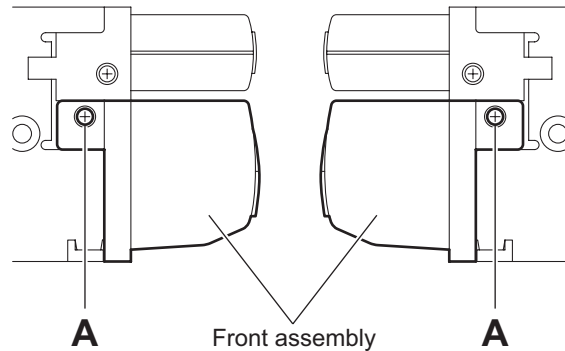


Fig.1

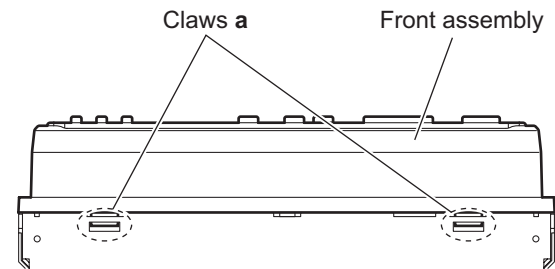


Fig.2

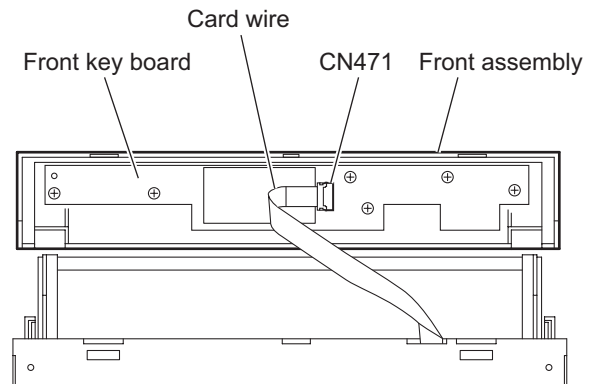


Fig.3

3.1.2 Removing the top drive unit (See Figs.4 to 6)

- Prior to performing the following procedure, remove the front assembly.
 - (1) From the both sides of the main body, remove the four screws **B** attaching the top drive unit to the main body. (See Fig.4.)
 - (2) From the back side of the main body, remove the three screws **C** attaching the top drive unit to the main body. (See Fig.5.)
 - (3) From the top side of the main body, lift the top drive unit from the bottom case assembly.
 - (4) Lift up the lock lever of the connectors ([CN391](#) and [CN392](#)) on the system control board and disconnect the flexible wires from it. (See Fig.6.)
 - (5) Take out the top drive unit from the bottom case assembly.

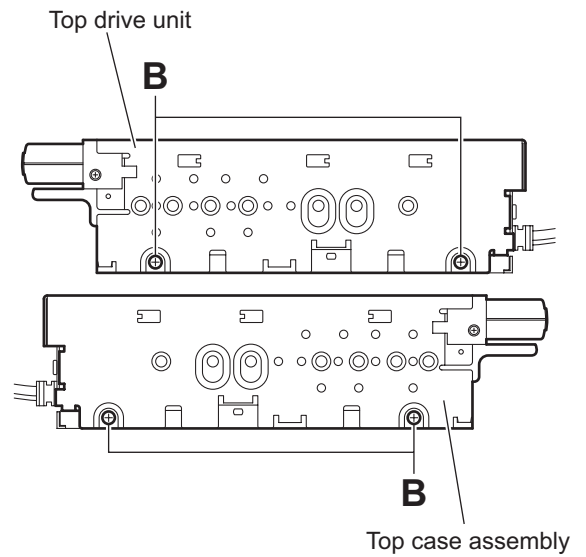


Fig.4

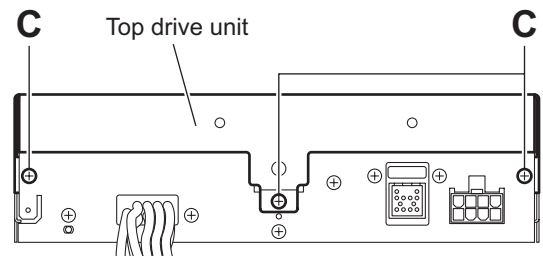


Fig.5

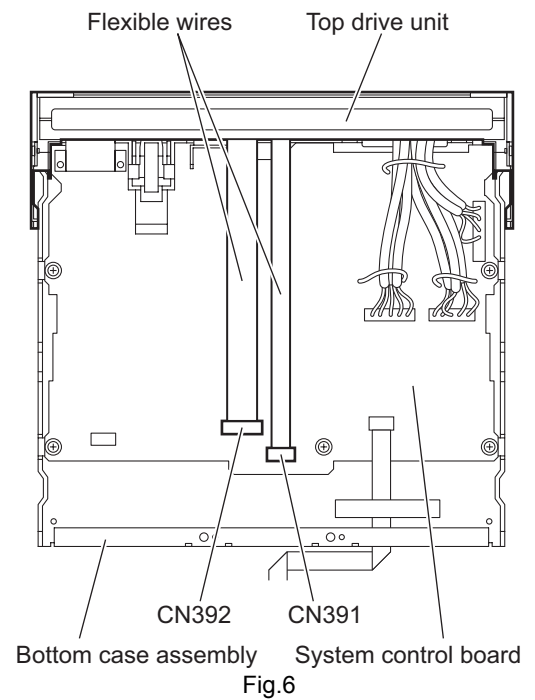


Fig.6

3.1.3 Removing the LCD assembly (See Figs.7 to 10)

- Prior to performing the following procedures, remove the front assembly and top drive unit.
 - (1) From the top side of the top drive unit, remove the three screws **D** attaching the LCD assembly to the top drive unit. (See Fig.7.)
 - (2) From the bottom side of the top drive unit, remove the two screws **E** attaching the FPC guide and take it out. (See Fig.8.)
 - (3) Move the LCD assembly in the direction of the arrow by turning the feed gear. (See Fig.8.)
 - (4) From the top side of the top drive unit, remove the screw **D** attaching the LCD assembly to the top drive unit. (See Fig.9.)
 - (5) Take out the LCD assembly from the top drive unit.

Reference:

- When reattaching the LCD assembly, pass the flexible wire through the slot **c** of the mecha assembly as before. (See Fig.10.)
- When reattaching the FPC guide, pass it through the section **b** as before. (See Fig.8.)

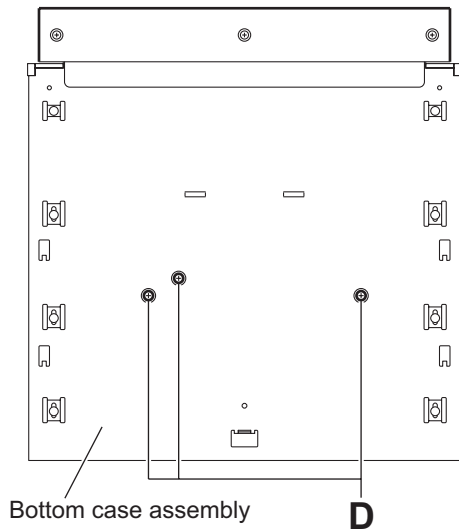


Fig.7

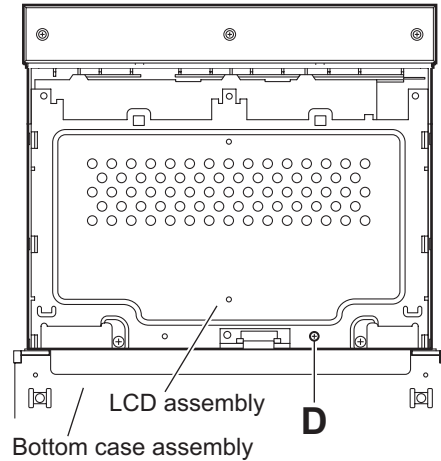


Fig.9

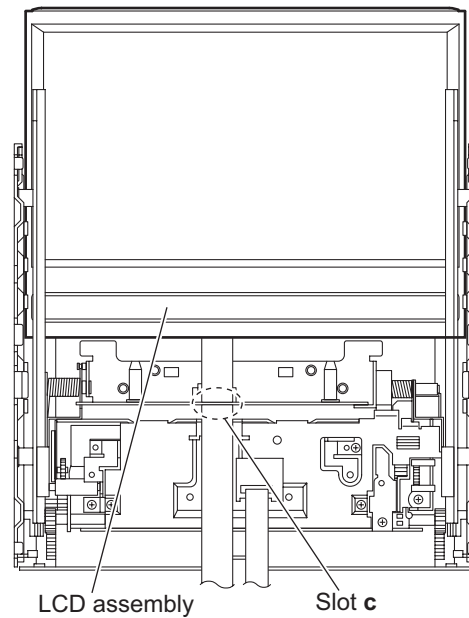


Fig.10

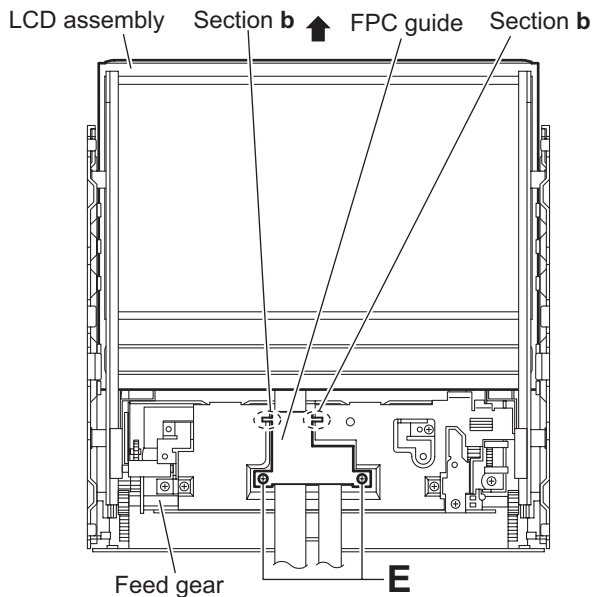
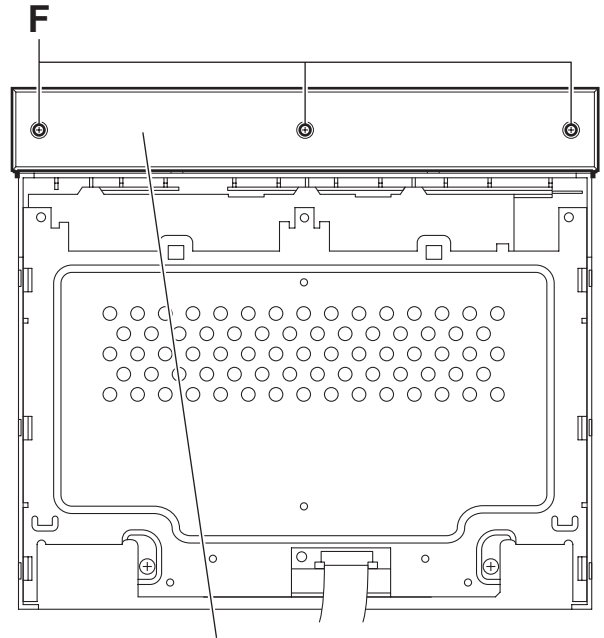


Fig.8

3.1.4 Removing the display rear cover
(See Fig.11)

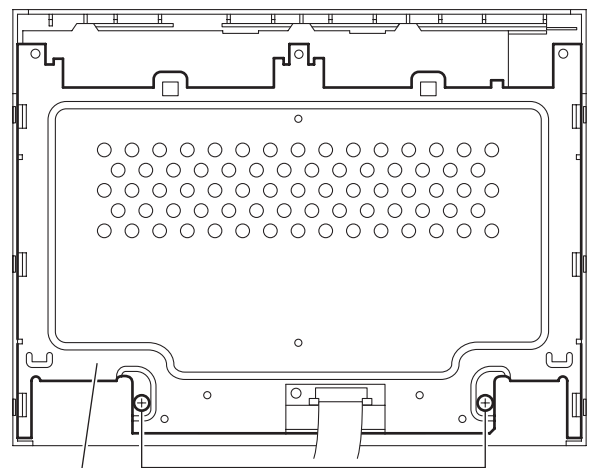
- Prior to performing the following procedures, remove the front assembly, top drive unit and LCD assembly.
 - (1) From the back side of the LCD assembly, remove the three screws **F** attaching the display rear cover to the LCD assembly.
 - (2) Take out the display rear cover from the LCD assembly.



Display rear cover
Fig.11

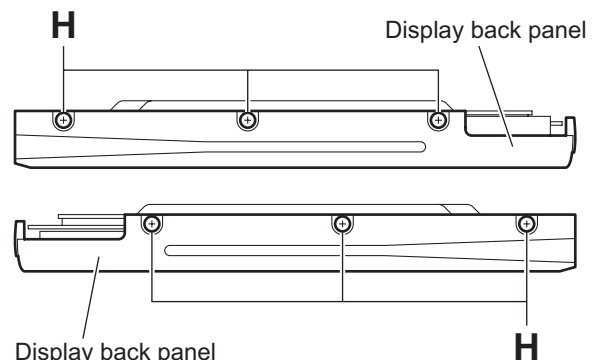
3.1.5 Removing the display back panel
(See Figs.12 and 13)

- Prior to performing the following procedures, remove the front assembly, top drive unit, LCD assembly and display rear cover.
 - (1) From the back side of the LCD assembly, remove the two screws **G** attaching the display back panel to the LCD assembly. (See Fig.12.)
 - (2) From the both sides of the LCD assembly, remove the six screws **H** attaching the display back panel to the LCD assembly. (See Fig.13.)
 - (3) Take out the display back panel from the LCD assembly.



Display back panel
G

Fig.12



Display back panel
H

Fig.13

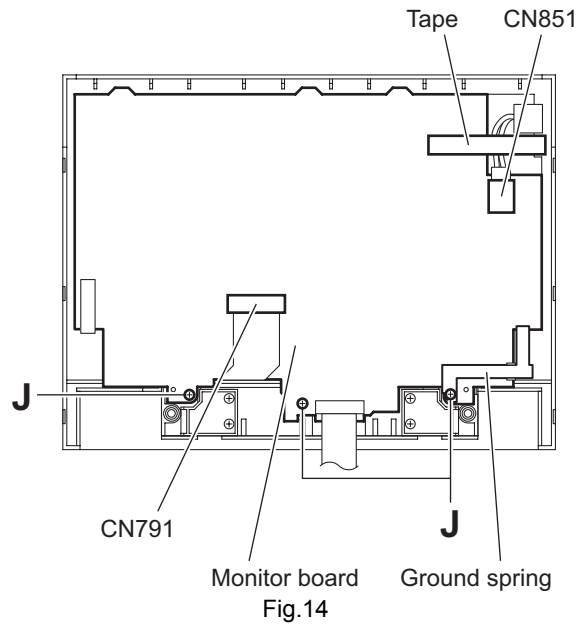
3.1.6 Removing the monitor board (See Fig.14)

- Prior to performing the following procedures, remove the front assembly, top drive unit, LCD assembly, display rear cover and display back panel.

- (1) From the back side of the LCD assembly, remove the three screws **J** attaching the monitor board to the LCD assembly.
- (2) Disconnect the wires from the connectors (CN791, CN851) on the monitor board.
- (3) Take out the monitor board with the insulator.

Reference:

- When attaching the screw **J**, attach it with the ground spring.
- After connecting the wire to the connector **CN851**, fix it with the new tape.



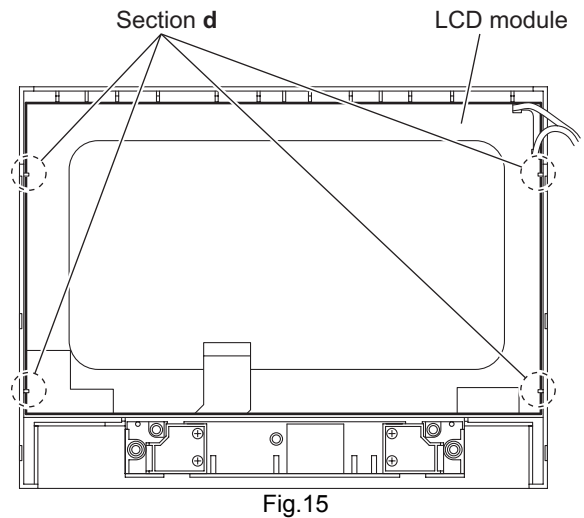
3.1.7 Removing the LCD module (See Fig.15)

- Prior to performing the following procedures, remove the front assembly, top drive unit, LCD assembly, display rear cover, display back panel and monitor board.

- (1) From the back side of the LCD assembly, release the four section **d** attaching the LCD module while lifting up the LCD module.
- (2) Take out the LCD module from the LCD assembly.

Reference:

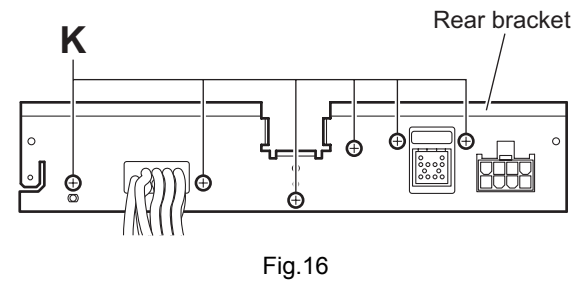
- When releasing the LCD module, take care not to break it.



3.1.8 Removing the rear bracket (See Fig.16)

- Prior to performing the following procedures, remove the front assembly and top drive unit.

- (1) From the back side of the bottom case assembly, remove the six screws **K** attaching the rear bracket to the bottom case assembly.
- (2) Take out the rear bracket from the bottom case assembly.



3.1.9 Removing the system control board (See Fig.17)

- Prior to performing the following procedures, remove the front assembly, top drive unit and rear bracket.
 - (1) From the top side of the bottom case assembly, remove the five screws **M** attaching the system control board to the bottom case assembly.
 - (2) Disconnect the wire from the connector [CN351](#) on the system control board.
 - (3) Take out the system control board from the bottom case assembly.



Fig.17

3.1.10 Removing the front key board (See Fig.18)

- Prior to performing the following procedure, remove the front assembly.
 - (1) From the back side of the front assembly, remove the spacer from the front key board.
 - (2) Remove the eight screws **N** attaching the front key board to the front assembly.
 - (3) Take out the front key board from the front assembly.

Reference:

After reattaching the front key board, cover it with the new spacer.

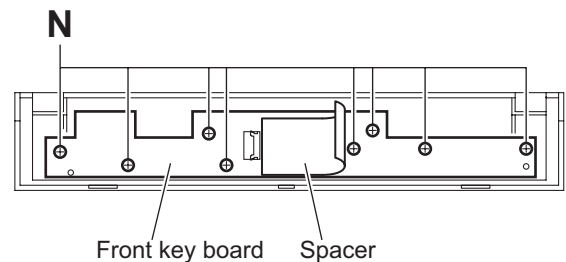


Fig.18

SECTION 4 ADJUSTMENT

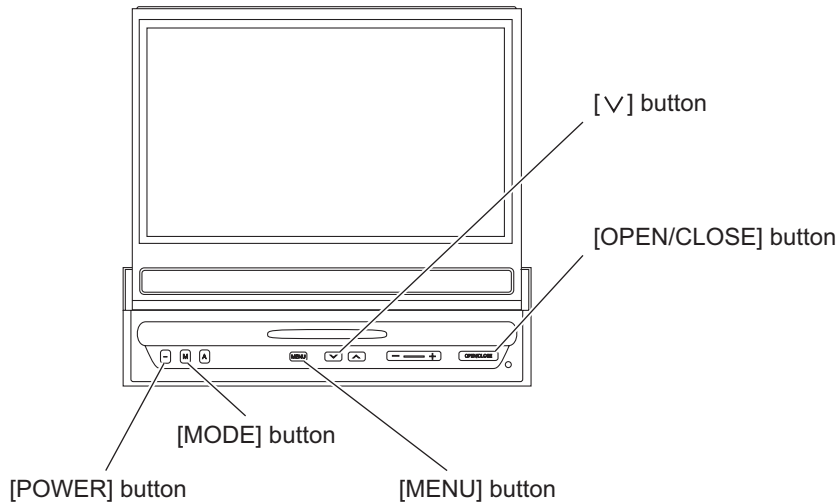
4.1 Service mode

4.1.1 Standard conditions

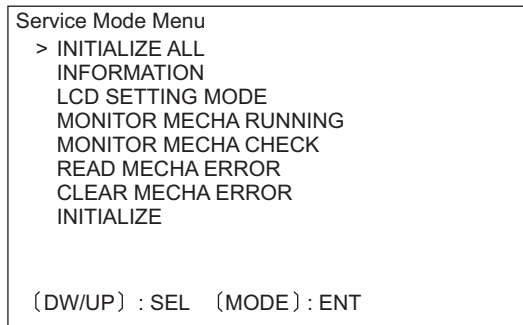
Power supply voltage:DC14.4V (11V to 16V)

4.1.2 Service mode setting procedure

1. Press the [POWER] button, and the display panel will come out and stand upright.
2. Press the [POWER], [∨] and [OPEN/CLOSE] buttons in this order, and keep them pressed for 3 seconds or more.



3. The service mode menu is displayed in the monitor.



* The service mode menu is selected with the [∧] or [∨] button on the main unit, and the service mode menu is entered with the [MODE] button on the main unit.

4. To exit the service mode, press the [POWER] button on the main unit for more than 3 seconds.

4.1.3 Operation procedures

```

Service Mode Menu
> INITIALIZE ALL
  INFORMATION
  LCD SETTING MODE
  MONITOR MECHA RUNNING
  MONITOR MECHA CHECK
  READ MECHA ERROR
  CLEAR MECHA ERROR
  INITIALIZE

(DW/UP) : SEL  (MODE) : ENT
  
```

* The service mode menu is selected with the [^] or [v] button on the main unit, and the service mode menu is entered with the [MODE] button on the main unit.

INITIALIZE ALL : All data are initialized to the factory default.

```

INITIALIZE ALL

NOW EXECUTING

COMPLETED
  
```

- "NOW EXECUTING" is displayed while the data is cleared.
- After the data clear is completed, the screen returns to normal indication after "COMPLETED" is displayed for 3 seconds.

Data to be Initialized
 • All EEPROM data except the factory default of the system micom and ROM collection data.

INFORMATION : Area / Region indication / Version indication

```

INFORMATION
KV-M705

SYS VER XXXX XX -----
LCD INFO XX -----
TV TUNER VER XXXX -----
DOM -----

(MENU) : BACK
  
```

- Version number of system micom and ROM collection
- This is used for technical support only.
- Version number of TV tuner (TV TUNER is connected.)
- Area suffix of TV tuner (TV TUNER is connected.)

* Press the [MENU] button and the screen returns to the service mode menu.

LCD adjustment mode

```

LCD SETTING  NTSC
> COM AMPLITUDE
  COM DC
  DAC OUT
  RGB AMPLITUDE
  BRIGHT
  GAMMA1
  GAMMA2
  SUB-BRIGHT R
  SUB-BRIGHT B

(DW/UP) : SEL  (MODE) : ENT
(MENU) : EEPROM WRITE
  
```

Press the [MENU] button.

```

LCD SETTING  NTSC
EEPROM WRITE

NOW EXECUTING

COMPLETED
  
```

Each setting value is written in EEPROM by pressing the [MENU] button.

- * "NOW EXECUTING" is displayed while the data is written.
- After the data writing is completed, the screen returns to service mode menu after "COMPLETED" is displayed.

```

LCD SETTING  NTSC
> PHASE
  CONTRAST
  TINT
  COLOR
  PICTURE
  INPUT MODE/SW
  AGC SW ON
  GAMMA TEST OFF
  NTSC/PAL CHANGE

(DW/UP) : SEL  (MODE) : ENT
(MENU) : EEPROM WRITE
  
```

Indication reshuffling

```

LCD SETTING  NTSC
> SETTING DISP ON

(DW/UP) : SEL  (MODE) : ENT
(MENU) : EEPROM WRITE
  
```

* See "LCD adjustment" for details.

(A)

A

Monitor Mecha Running mode

```

MONITOR MECHA RUNNING
> RUNNING MODE-1
  RUNNING MODE-2
  RUNNING MODE-3
  RUNNING MODE-4
  RUNNING MODE-5
  RUNNING MODE-6

(DW/UP) : SEL (MODE) : ENT
(MENU)  : BACK

```

- * This mode is not used for service.
- To exit running mode, press the [POWER] button for more than 3 seconds.
- Then service mode is finished.

* Press the [MENU] button and the screen returns to service mode menu.

Monitor Mecha Check mode

```

MONITOR MECHA CHECK

ANGLE SENSOR MIN : XXXX
ANGLE SENSOR MAX : XXXX

INITIALIZE OK

```

- MIN : Value of the monitor angle 0 °C entered by the initialization processing.
- MAX : Value of the monitor angle 105 °C entered by the initialization processing. (The displayed value is the AD value, which is taken into the system micom.)
- "INITIALIZE OK/NG" indicates completion/incompletion end of the initialization processing. ("NG" is displayed when mechanism initialization have not been completed.)

Read Mecha Error history

```

READ MECHA ERROR
TOTAL ERROR : XXXXXX
E-1 : XXXXXX E01 : XXXXXX
E-2 : XXXXXX E02 : XXXXXX
E-3 : XXXXXX E03 : XXXXXX
E-4 : XXXXXX
E-5 : XXXXXX

(MENU) : BACK

```

- Total number of errors, the first five and the latest three errors are displayed.

* Press the [MENU] button and the screen returns to service mode menu.

Clear Mecha Error history

```

CLEAR MECHA ERROR

NOW EXECUTING

COMPLETED

```

- The Monitor Mecha Error history is cleared.
- Data to be cleared
- Monitor Mecha Error history stored in EEPROM.

Initialization of user setting data

```

INITIALIZE

NOW EXECUTING

COMPLETED

```

- "NOW EXECUTING" is displayed while the data is cleared.
- After the data clear is completed, the screen returns to normal indication after "COMPLETED" is displayed for 3 seconds.

- Data to be Initialized
- User setting data of the system micom (All EEPROM data except the factory default of system micom, ROM collection data and the Monitor Mecha Error history.)

4.1.4 LCD adjustment

LCD free run frequency adjustment

- (1) Set the main unit in a service mode.
- (2) Select "LCD SETTING" of the service mode.
- (3) Connect the frequency counter to TP708 and TP761 (GND) on the monitor board.
(Not supplying a signal in the input.)
- (4) Select "DAC OUT" of LCD SETTING menu to adjust.
- (5) Carry out this adjustment with both modes of NTSC and PAL.
(Change "NTSC/PAL CHANGE" of LCD SETTING menu)

NTSC	PAL
15.734kHz	15.625kHz

LCD SETTING MENU

Item	Contents
COM AMPLITUDE	Amplitude of the common voltage
COM DC	Center value of the LCD pulse
DAC OUT	Free run frequency of the LCD
RGB AMPLITUDE	Amplitude of black-black
BRIGHT	Brightness
GAMMA1	GAMMA point 1
GAMMA2	Difference with GAMMA point 1
SUB-BRIGHT R	Red brightness
SUB-BRIGHT B	Blue brightness
PHASE	Phase of R-Y/B-Y
CONTRAST	Contrast of video input
TINT	Hue
COLOR	Deepness of a color
PICTURE	Picture
INPUT MODE/SW	This mode not using it by service.
AGC SW ON	This mode not using it by service.
GAMMA TEST OFF	This mode not using it by service.
NTSC/PAL CHANGE	Reshuffling of NTSC/PAL
SETTING DISP ON	On/off for indication of adjustment value

LCD SETTING	NTSC
COM AMPLITUDE	XXH
(MODE) : BACK (DW/UP) : SET	

Main unit operation in adjustment

[MODE] key : Return to LCD SETTING menu.

[^], [v] key : Change value, one step changes by one time of input

Carry out this operation with both modes of NTSC and PAL.

- * When all the adjustment values are input, press the [MENU] button to memorize the values in EEPROM. When the power supply is turned off without pressing the [MENU] button, the adjustment values are not memorized.

Adjustment for all version (Carry out this adjustment with both modes of NTSC and PAL.)

NTSC adjustment

Item	Production jig Def value	Reference value	
COM AMPLITUDE	3E	6D	Adjustment
COM DC	0A	28	Adjustment
DAC OUT	Adjustment of frequency		Adjustment
RGB AMPLITUDE	DD	CE	Adjustment
BRIGHT	30	30	Fixed value
GAMMA1	85	85	Fixed value
GAMMA2	FF	FF	Fixed value
SUB-BRIGHT R	80	84	Adjustment
SUB-BRIGHT B	85	8A	Adjustment
PHASE	30	30	Adjustment
CONTRAST	A0	AB	Adjustment
TINT	98	98	Adjustment
COLOR	7B	7D	Adjustment
PICTURE	10	10	Fixed value

PAL adjustment

Item	Production jig Def value	Reference value	
COM AMPLITUDE	3F	72	Adjustment
COM DC	1A	25	Adjustment
DAC OUT	Adjustment of frequency		Adjustment
RGB AMPLITUDE	D0	D0	Adjustment
BRIGHT	30	30	Fixed value
GAMMA1	85	85	Fixed value
GAMMA2	FF	FF	Fixed value
SUB-BRIGHT R	80	84	Adjustment
SUB-BRIGHT B	85	8A	Adjustment
PHASE	30	30	Adjustment
CONTRAST	A0	AB	Adjustment
TINT	92	91	Adjustment
COLOR	7F	84	Adjustment
PICTURE	10	10	Fixed value

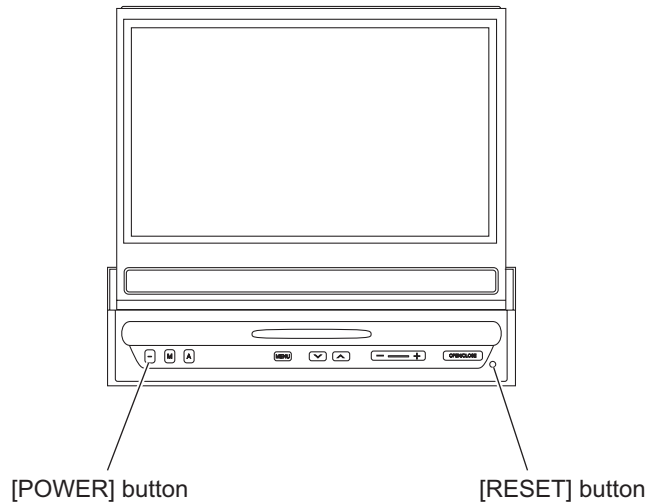
SECTION 5 TROUBLESHOOTING

5.1 Mechanism initialization

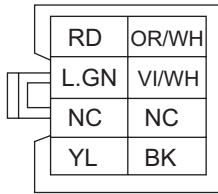
Operate the mechanism initialization when replacing the top drive unit.

5.1.1 Operation procedure of mechanism initialization

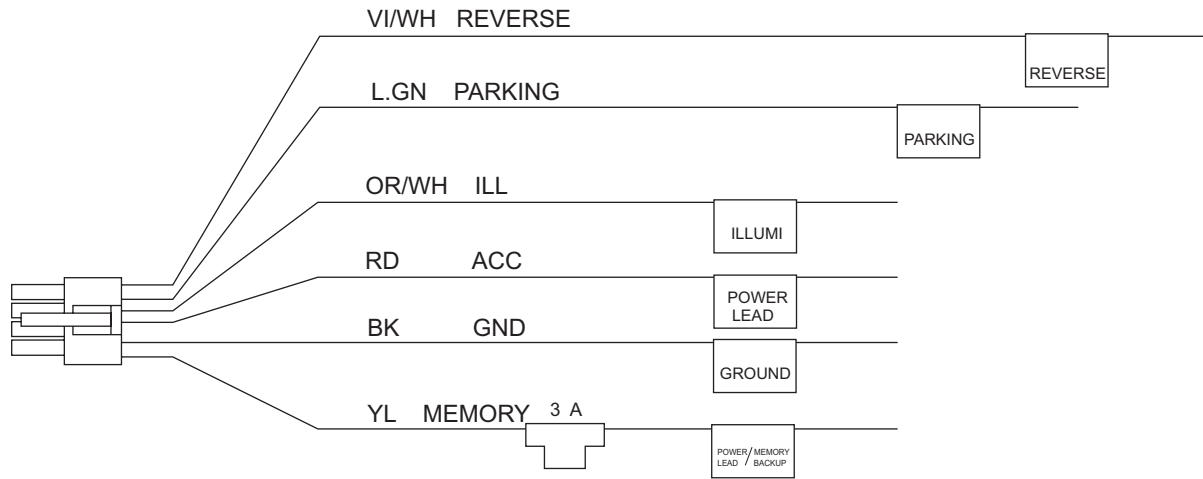
- (1) Setup the service mode, and operate "INITIALIZE ALL".
(Refer to "4.1.2 Service mode setting procedure" and "4.1.3 Operation procedures")
- (2) After the all data are initialized, press the [RESET] button of the main unit.
- (3) After the display panel is closed, start the operating the mechanism initialization.
- (4) After the operating mechanism initialization, press the [POWER] button of the main unit for more than 3 seconds.



5.2 8 PIN CORD DIAGRAM



BK	Black	WH	White
RD	Red	YL	Yellow
OR	Orange	VI	Violet
L.GN	Light Green		



ACC	ACC Line
MEMORY	Memory Backup Battery+
GND	Ground
ILL	Illuminations Control
PARKING	Parking Brake
REVERSE	Reverse Gear Signal Lead



JVC

Victor Company of Japan, Limited
AV & MULTIMEDIA COMPANY CAR ELECTRONICS CATEGORY 10-1,1chome,Ohwatari-machi,Maebashi-city,371-8543,Japan

(No.MA209)

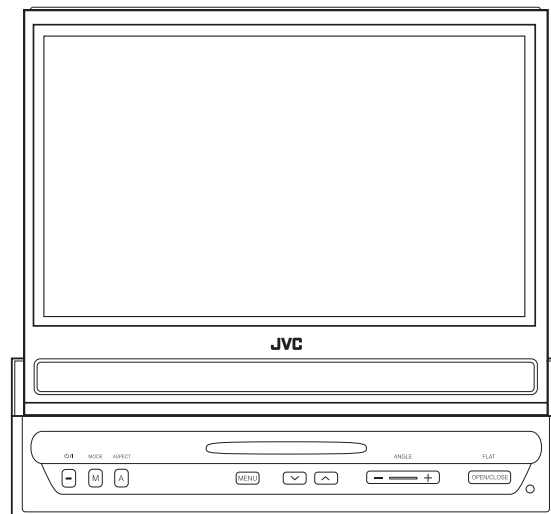
JVC

SCHEMATIC DIAGRAMS

IN-DASH 7-INCH WIDESCREEN MONITOR

KV-M705, KV-M706

CD-ROM No.SML200510



KV-M705

Area suffix

E ----- Southern Europe
UT ----- Taiwan
UN ----- Indonesia
HUN ----- Indonesia
U ----- Other Areas

KV-M706

Area suffix


J ----- Northern America
E ----- Southern Europe
UT ----- Taiwan
UN ----- Indonesia
U ----- Other Areas

Lead free solder used in the board (material : Sn-Ag-Cu, melting point : 219 Centigrade)

Contents

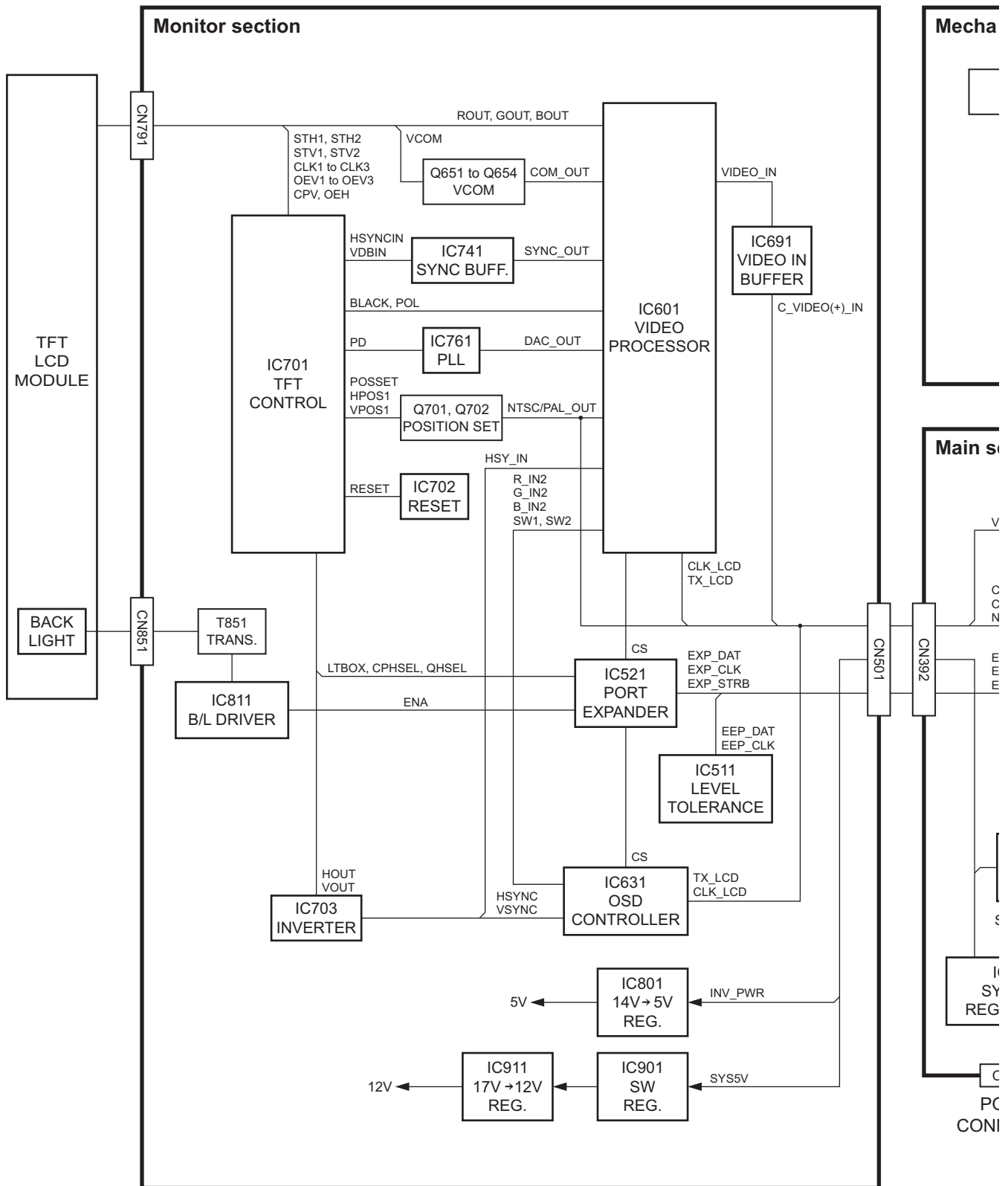
Block diagram	2-1
Standard schematic diagrams	2-3
Printed circuit boards	2-11 to 14

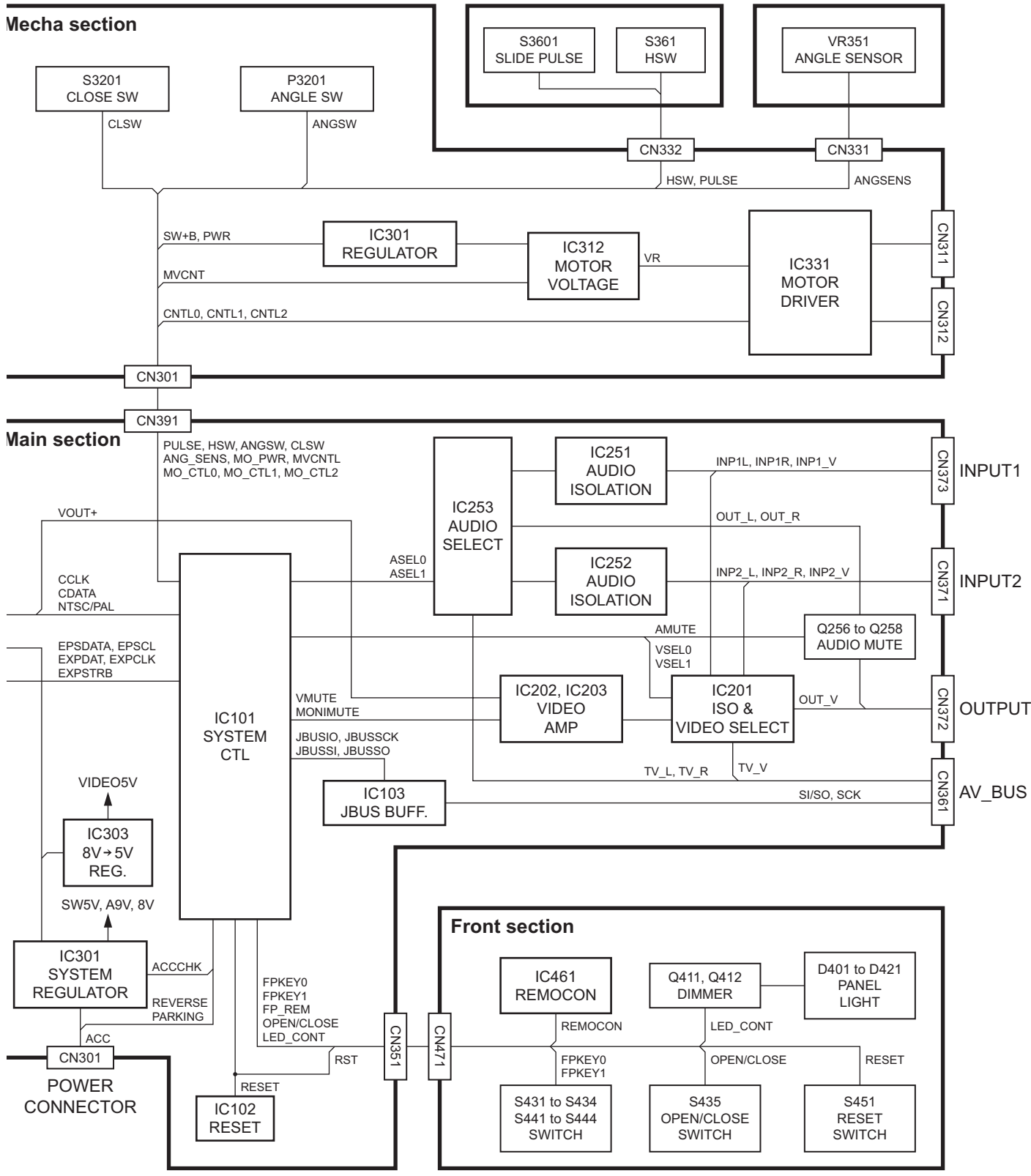
Safety precaution

 **CAUTION** Burrs formed during molding may be left over on some parts of the chassis. Therefore, pay attention to such burrs in the case of performing repair of this system.

< MEMO >

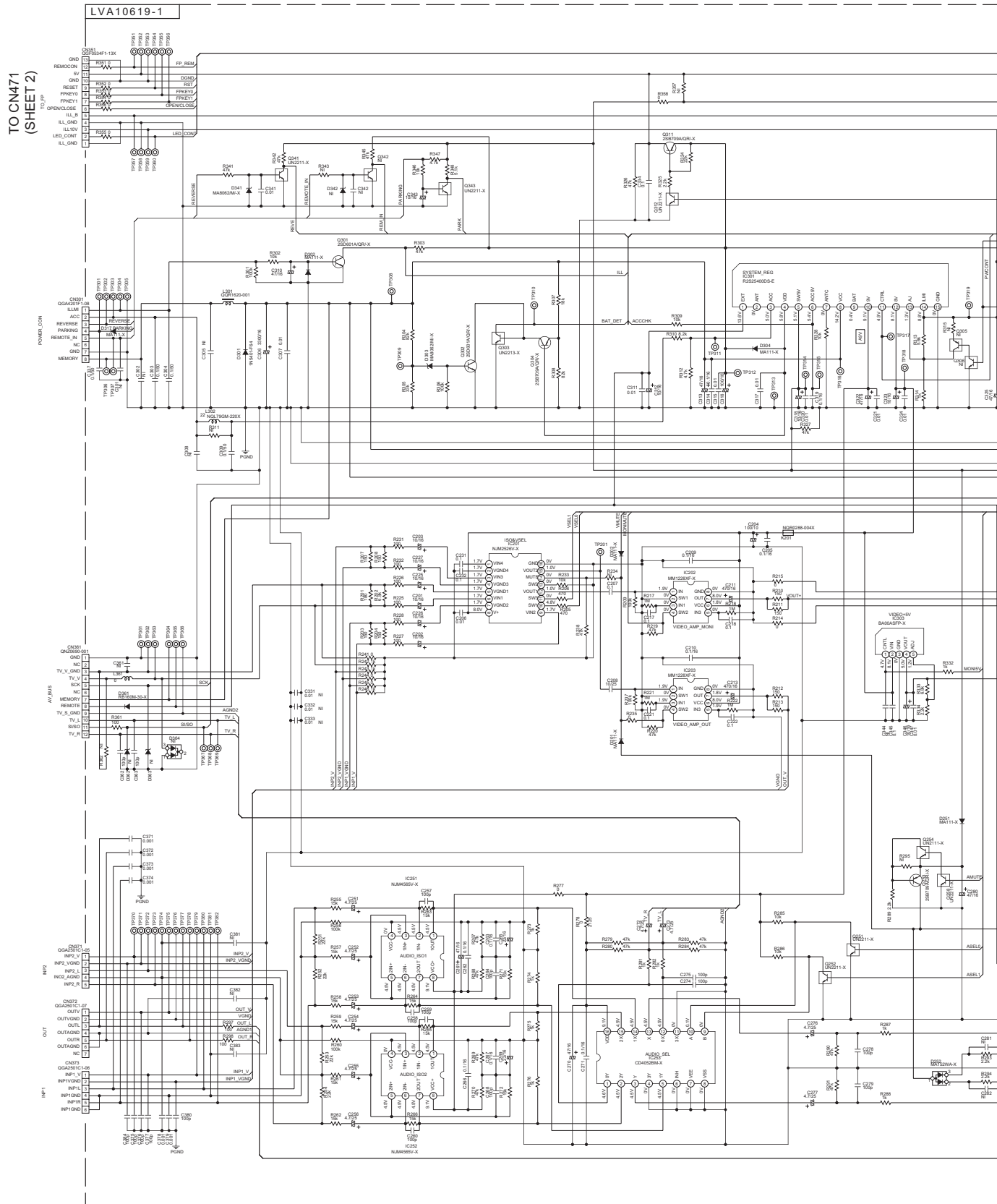
Block diagram

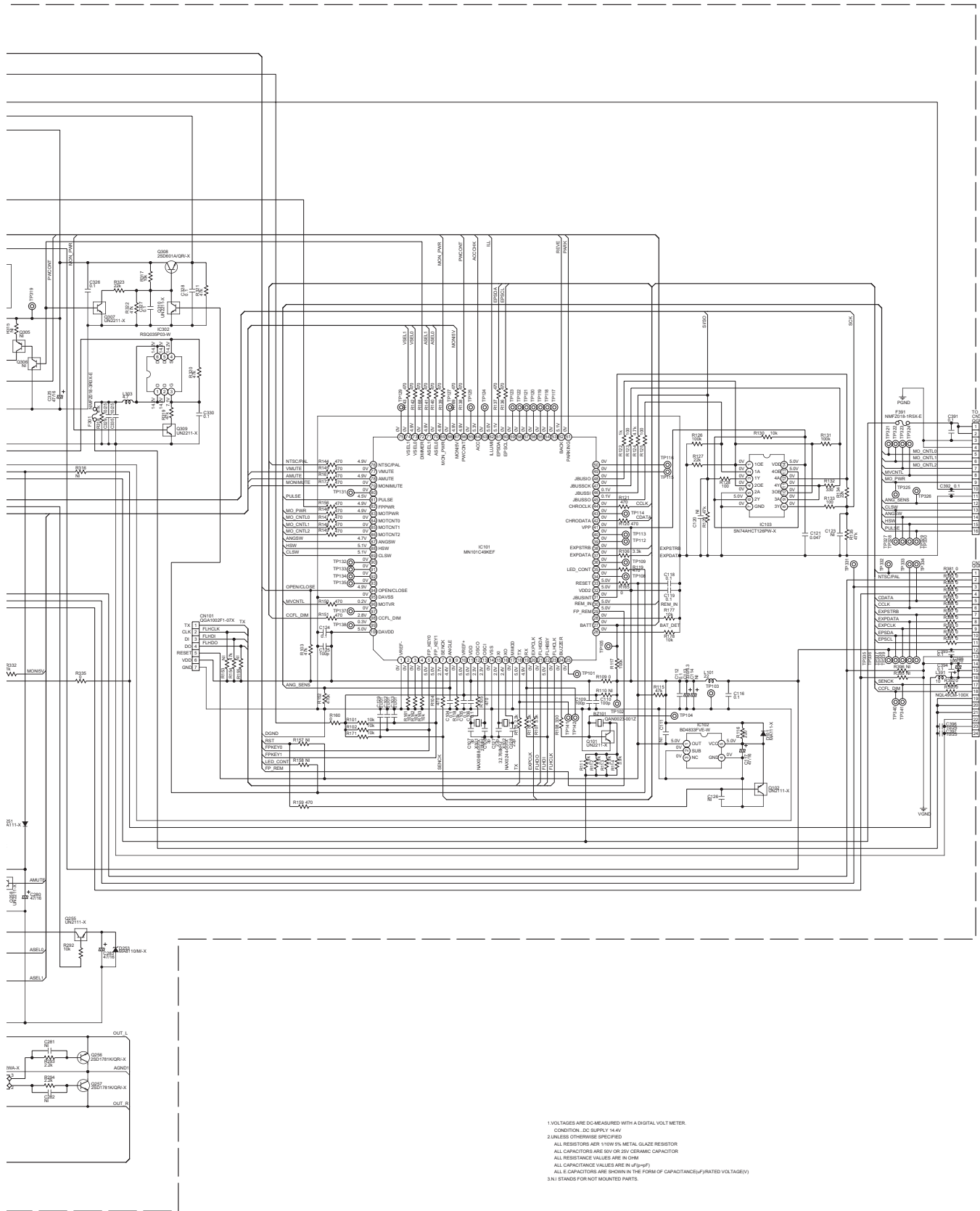




Standard schematic diagrams

■ Main section





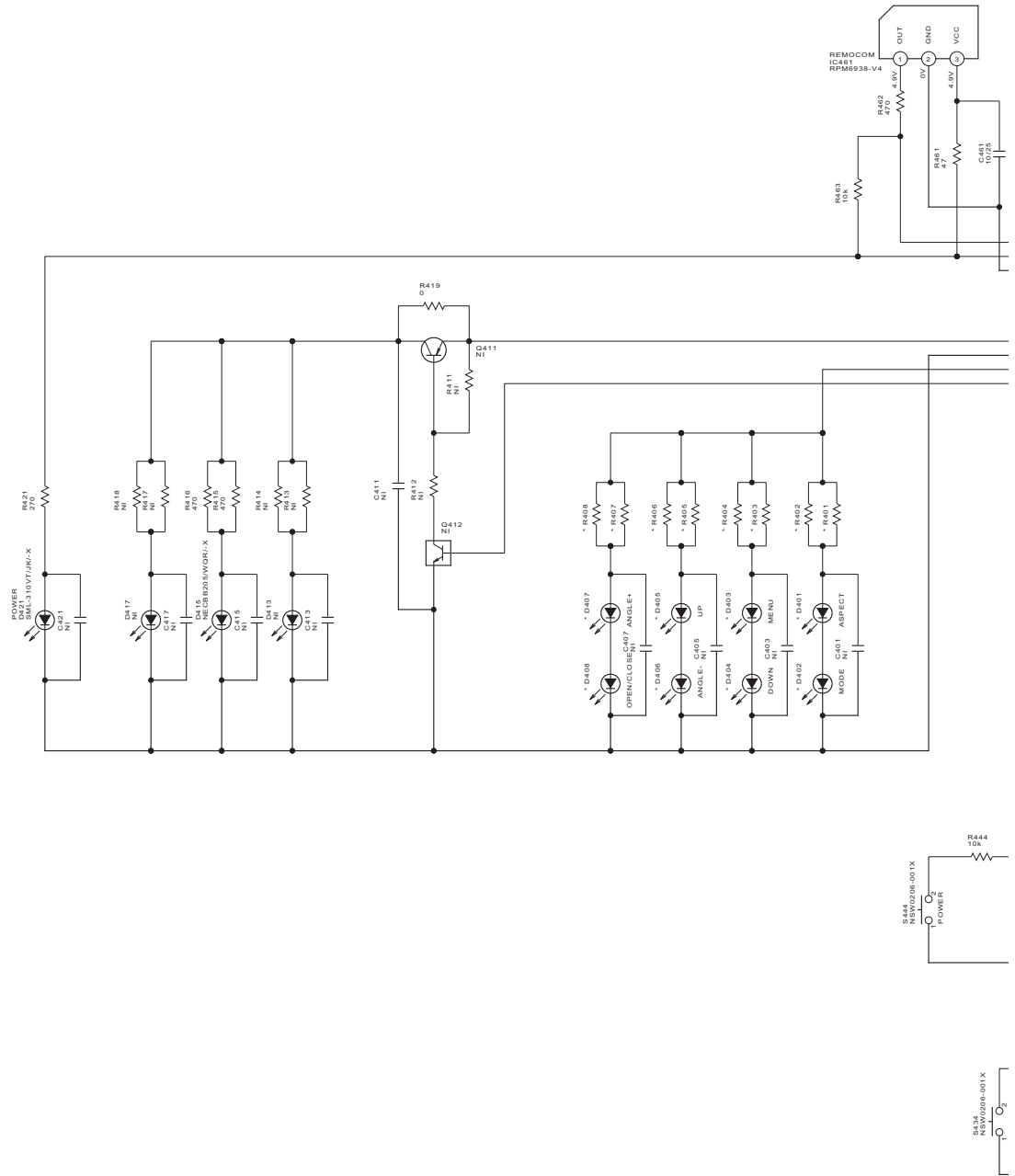
TO CN301
(SHEET 4)

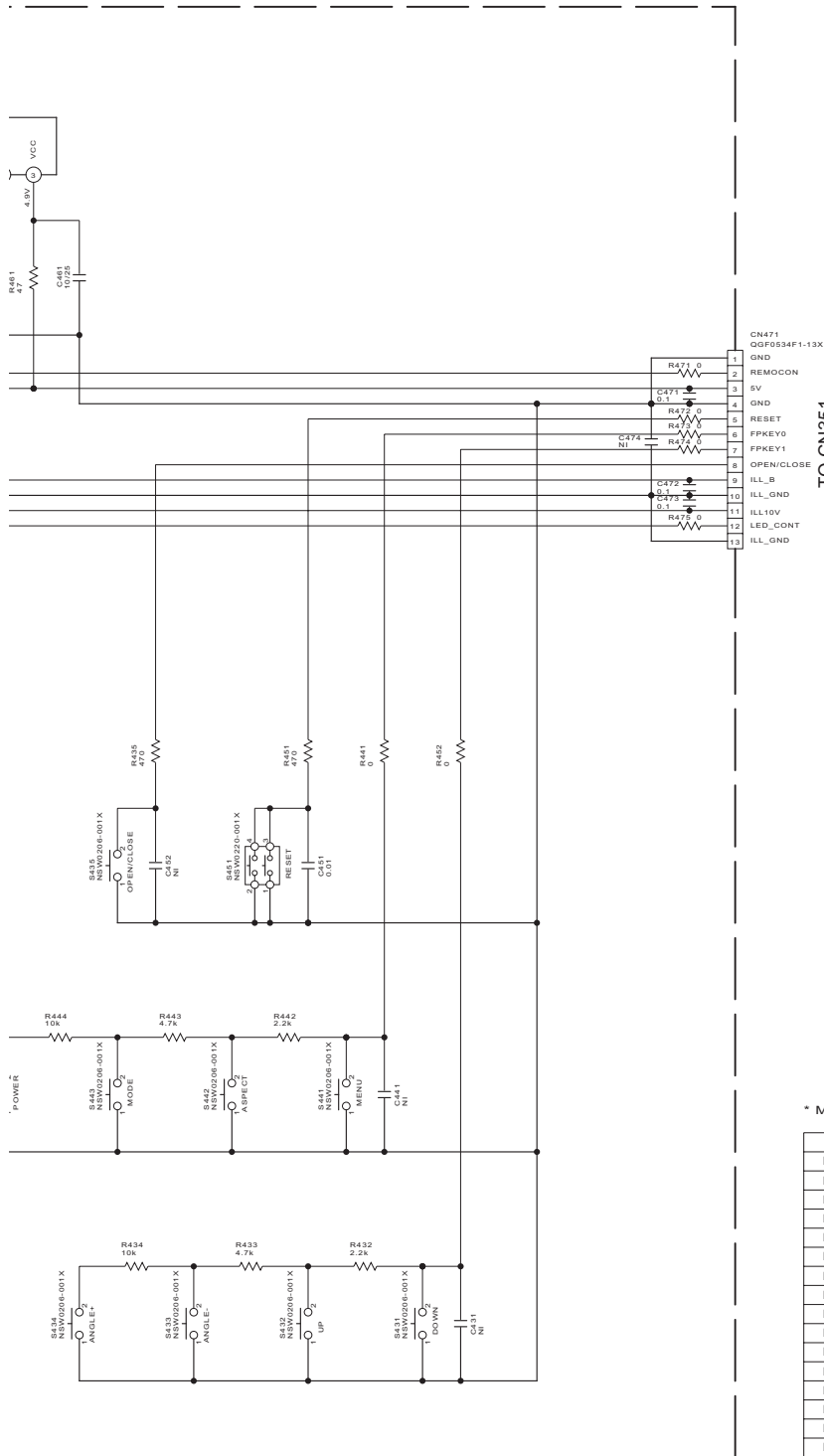
TO CN501
(SHEET 3)

1/ VOLTAGES ARE DC MEASURED WITH A DIGITAL VOLT METER.
 CONDITION: DC SUPPLY 14.5V
 2/ UNLESS OTHERWISE SPECIFIED
 ALL RESISTORS ARE 1/16W 5% METAL GLAZE RESISTOR
 ALL CAPACITORS ARE 50V OR 25V CERAMIC CAPACITOR
 ALL RESISTANCE VALUES ARE IN OHM
 ALL CAPACITANCE VALUES ARE IN pF(nF)
 ALL E CAPACITORS ARE SHOWN IN THE FORM OF CAPACITANCE/(RATED VOLTAGE)
 3/ 1/ STANDS FOR NOT MOUNTED PARTS.

■ Front section

LVA10619-2





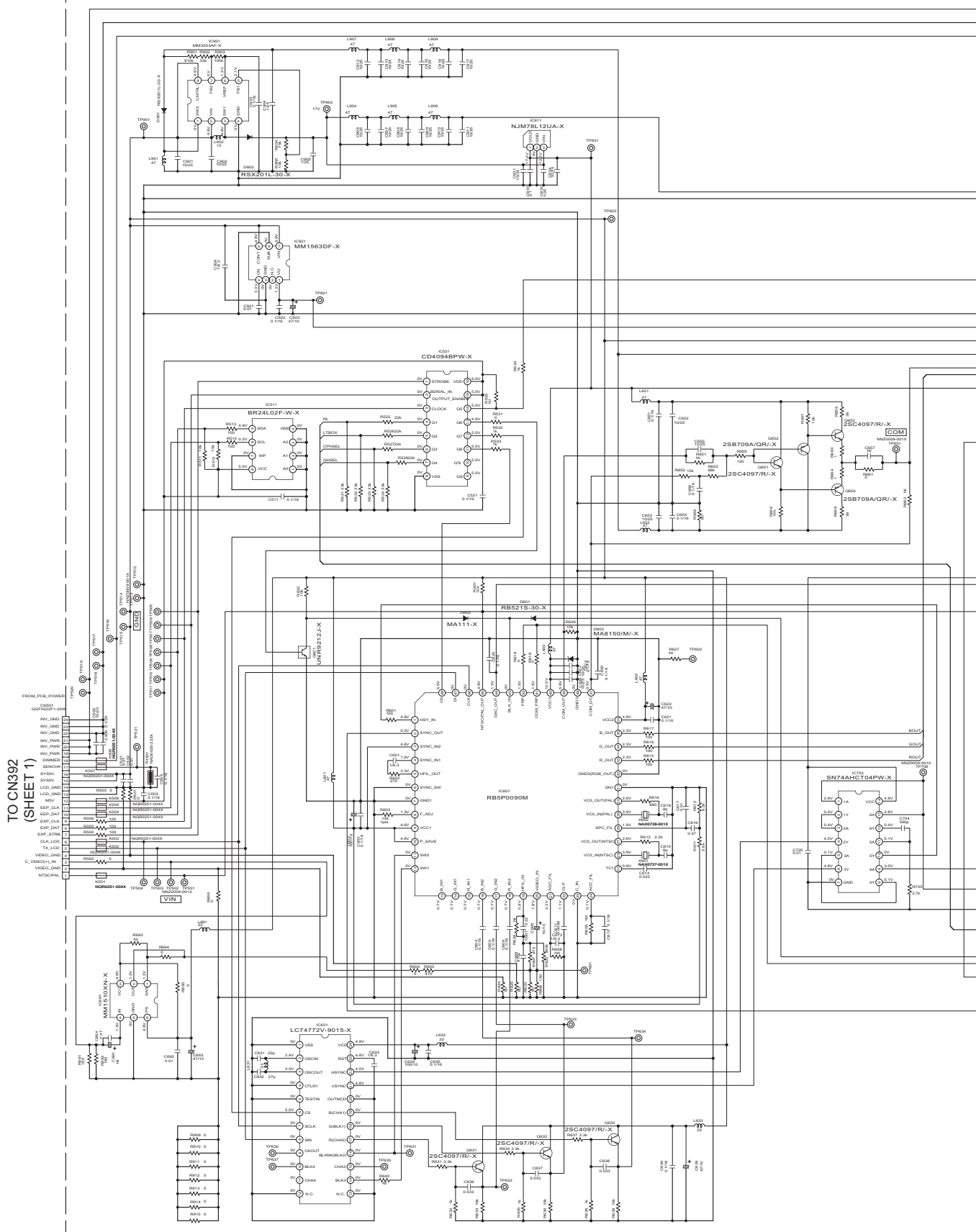
* MARK LIST

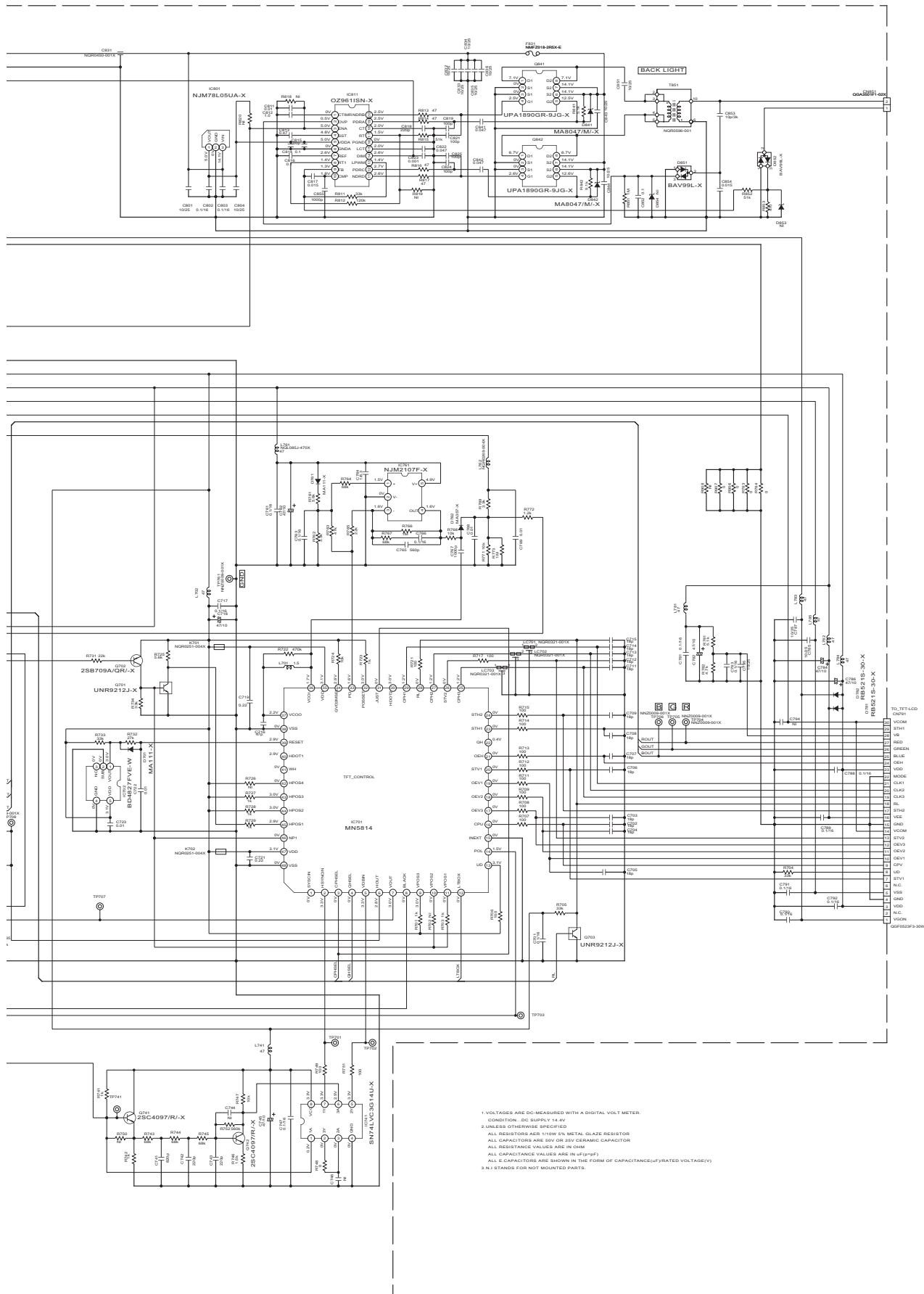
	D	U/UT/UN/A/J/E
D401		
D402		
D403		
D404	SML-310PT/KL/-X	SML-310VT/JL/-X
D405		
D406		
D407		
D408		
R401		
R402		
R403		
R404	NRSA63J-102X	NRSA63J-821X
R405		
R406		
R407		
R408		

1. VOLTAGES ARE DC-MEASURED WITH A DIGITAL VOLT METER.
 CONDITION...DC SUPPLY 14.4V
 2. UNLESS OTHERWISE SPECIFIED
 ALL RESISTORS: AER 1/10W 5% METAL GLAZE RESISTOR
 ALL CAPACITORS ARE 50V OR 25V CERAMIC CAPACITOR
 ALL RESISTANCE VALUES ARE IN OHM
 ALL CAPACITANCE VALUES ARE IN uF(p=pF)
 ALL E.CAPACITORS ARE SHOWN IN THE FORM OF CAPACITANCE(uF)/RATED VOLTAGE(V)
 3. N.I STANDS FOR NOT MOUNTED PARTS.

Monitor section

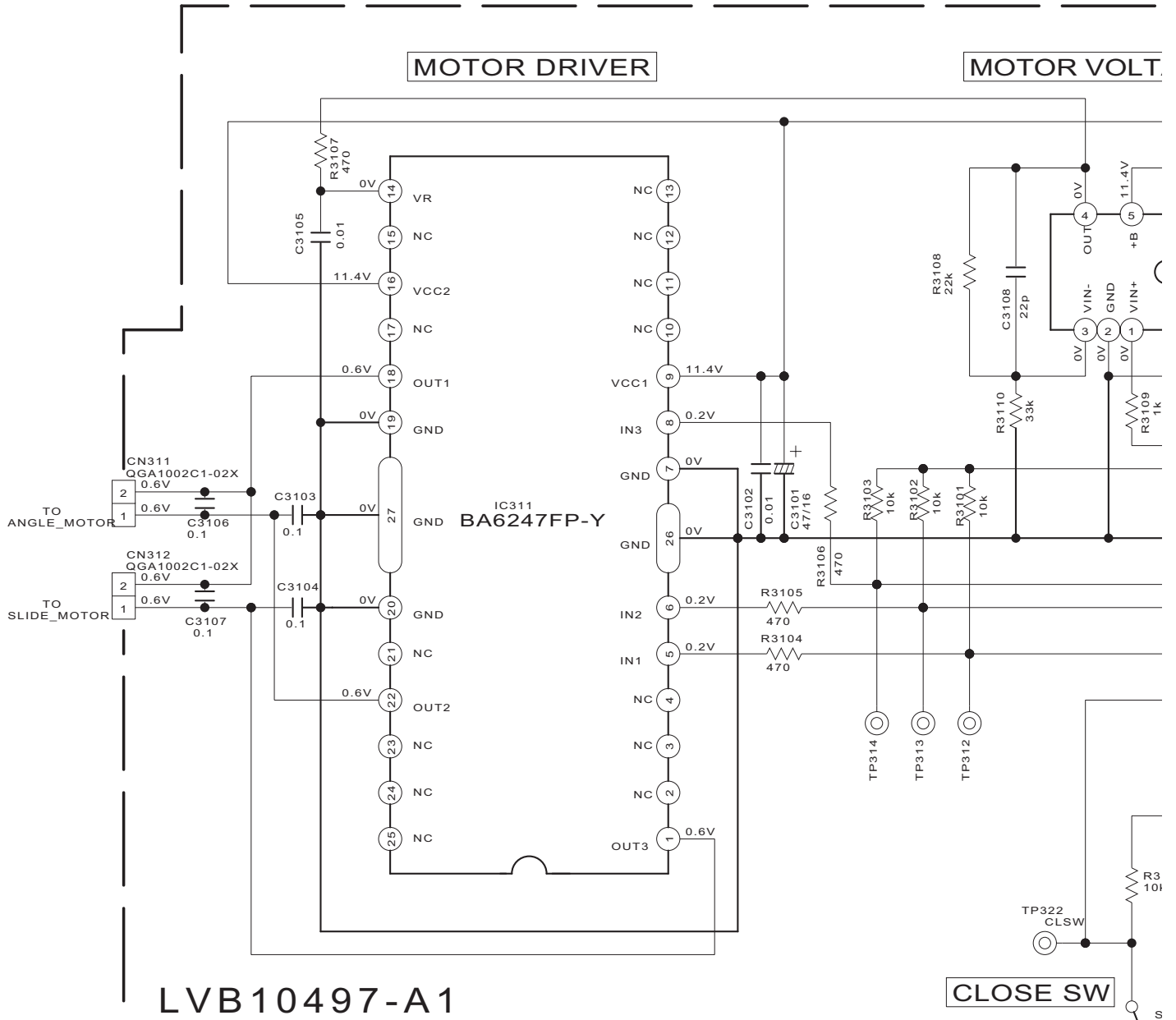
LVA10620-1





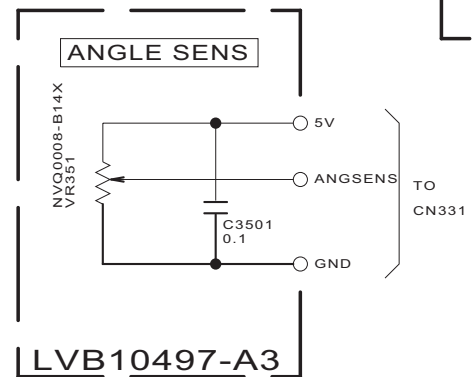
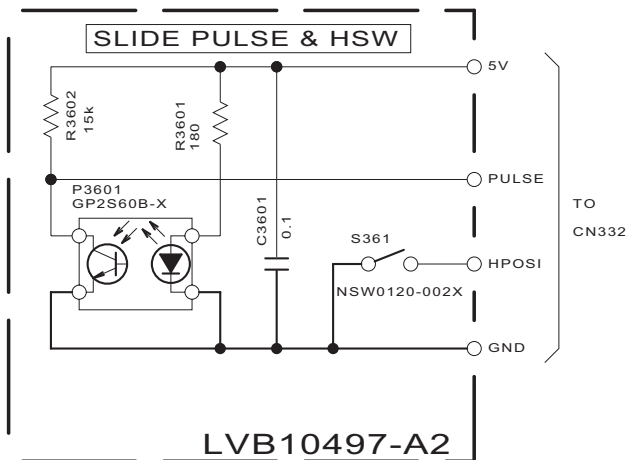
1. VOLTAGES ARE DC-MEASURED WITH A DIGITAL VOLT METER.
 2. CONDITION: DC SUPPLY 14.4V
 3. UNLESS OTHERWISE SPECIFIED:
 ALL RESISTORS ARE 1/10W 5% METAL GLAZE RESISTOR
 ALL CAPACITORS ARE 50V OR 25V CERAMIC CAPACITOR
 ALL RESISTANCE VALUES ARE IN OHM
 ALL CAPACITANCE VALUES ARE IN (P-F)
 ALL E-CAPACITORS ARE SHOWN IN THE FORM OF CAPACITANCE/(RATED VOLTAGE)
 N.E. STANDS FOR NOT MOUNTED PARTS.

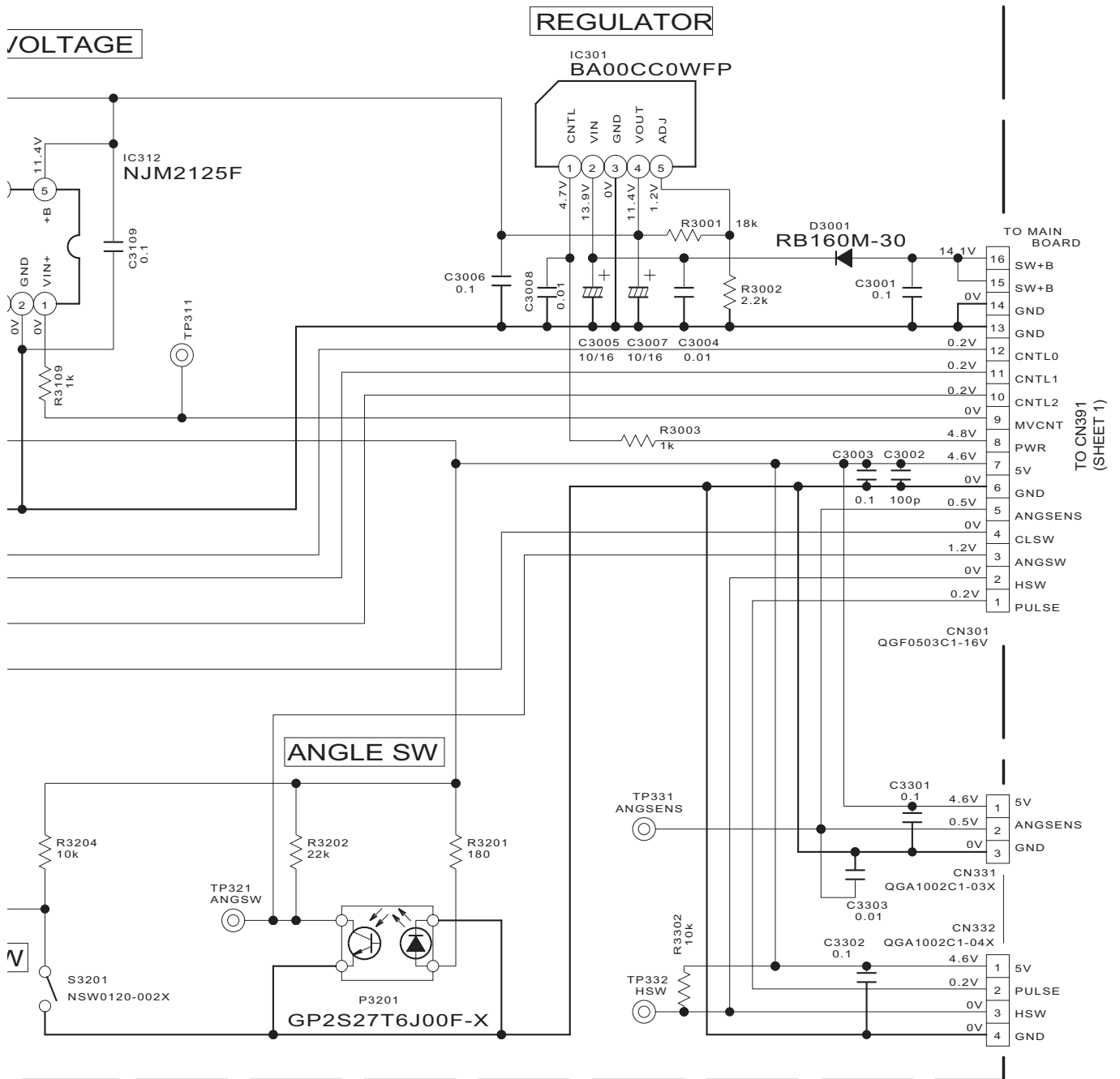
■ Mecha section



LVB10497-A1

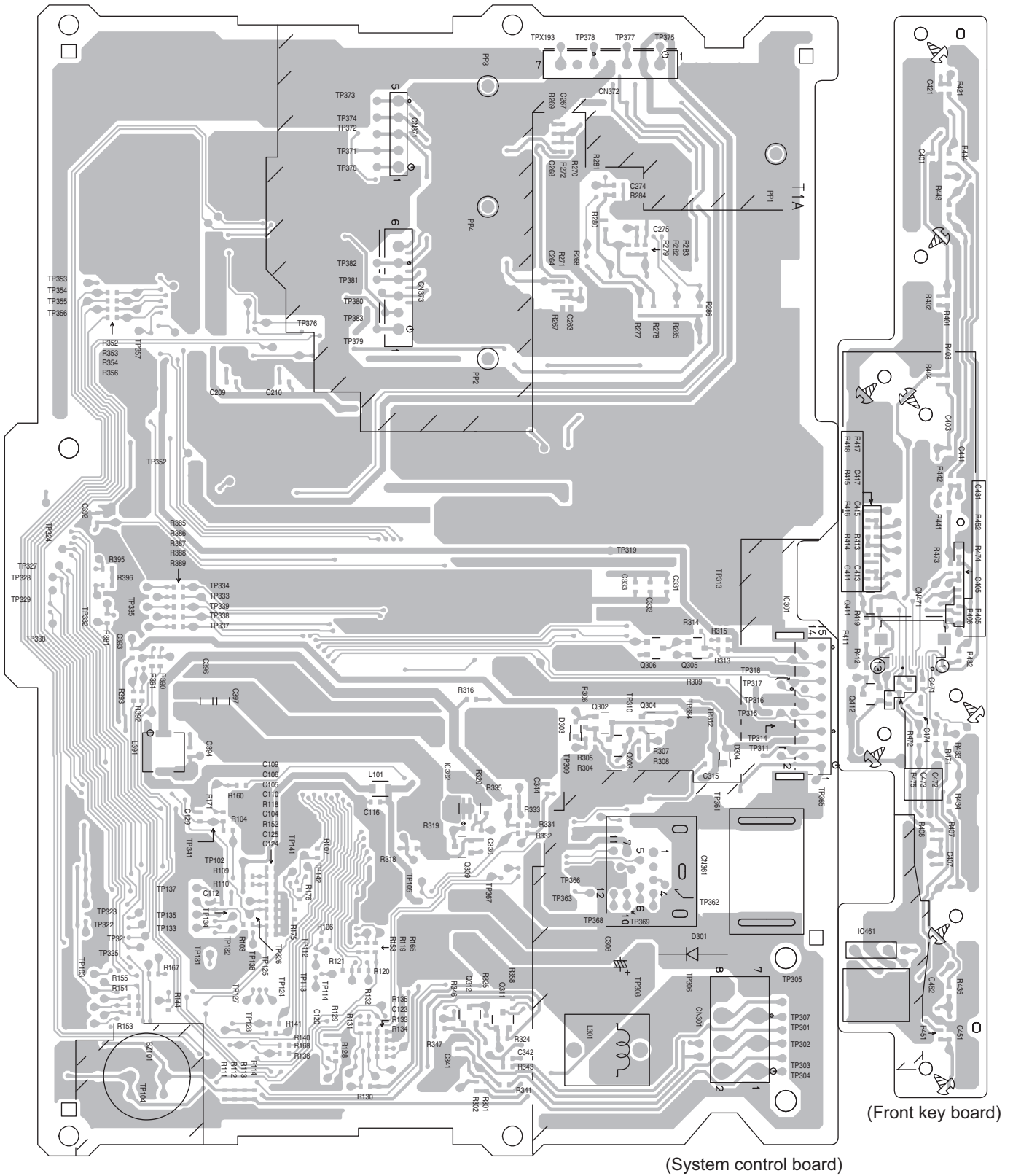
CLOSE SW





1. VOLTAGES ARE DC-MEASURED WITH A DIGITAL VOLT METER.
CONDITION...DC SUPPLY 14.4V , WITHOUT MONITOR
2. UNLESS OTHERWISE SPECIFIED
ALL RESISTORS ARE 1/10W 5% METAL GLAZE RESISTOR
ALL CAPACITORS ARE 50V OR 25V CERAMIC CAPACITOR
ALL RESISTANCE VALUES ARE IN OHM
ALL CAPACITANCE VALUES ARE IN uF(p=pF)
ALL E.CAPACITORS ARE SHOWN IN THE FORM OF CAPACITANCE(uF)/RATED VOLTAGE(V)
3. N.I STANDS FOR NOT MOUNTED PARTS.

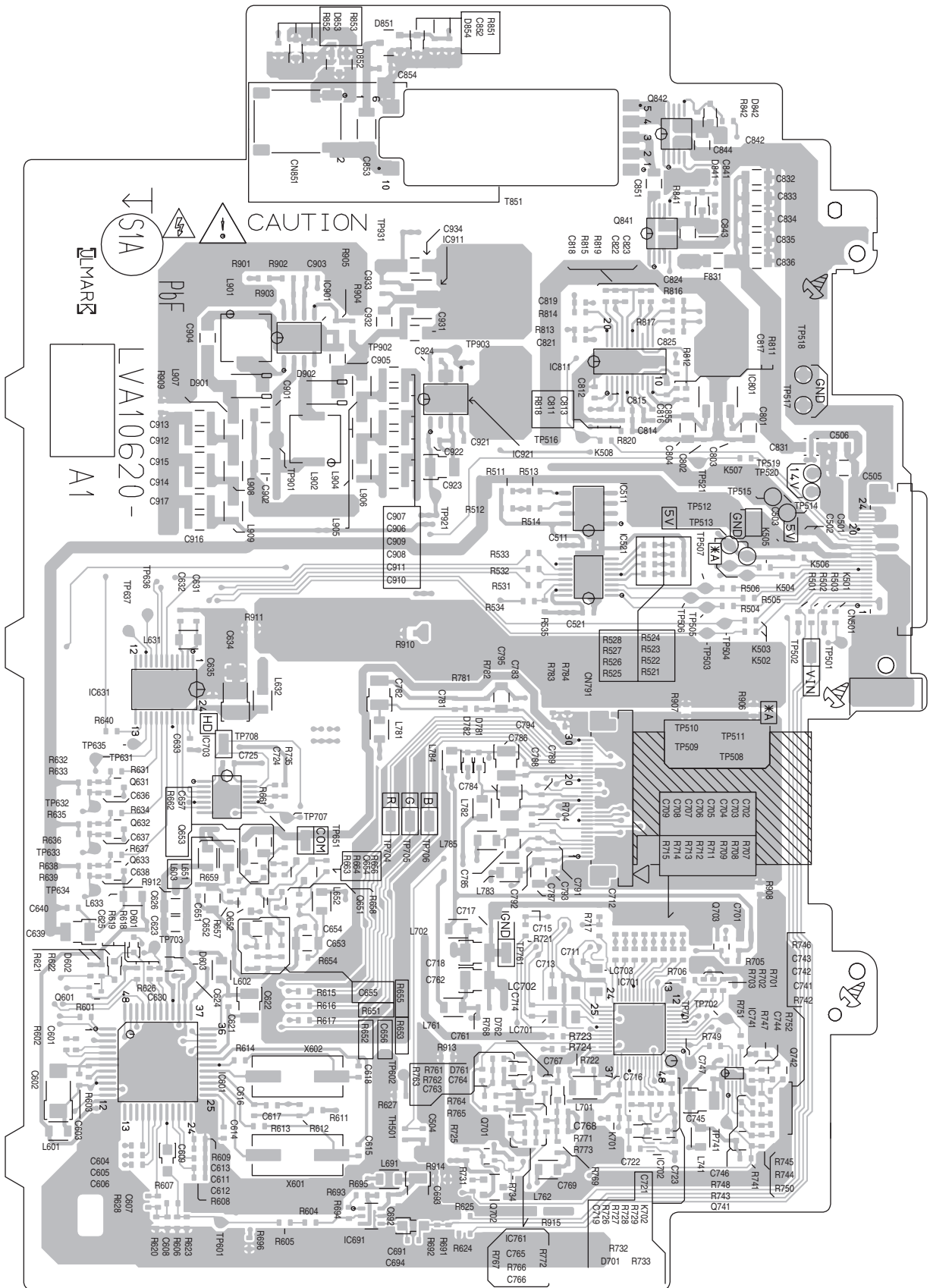
Reverse side



■ Monitor board

Lead free solder used in the board (material : Sn-Ag-Cu, melting point : 219 Centigrade)

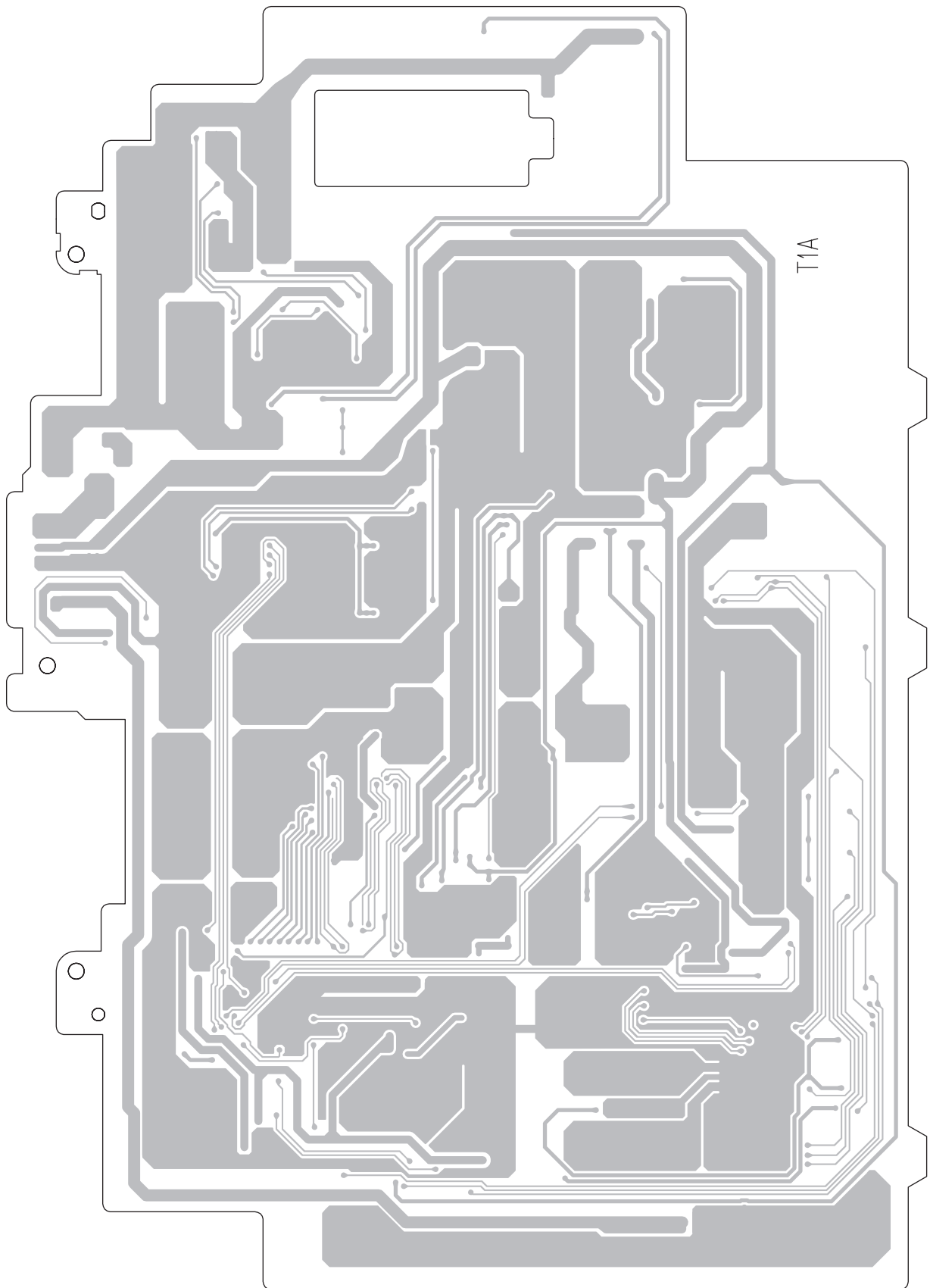
Forward side



■ **Monitor board**

Lead free solder used in the board (material : Sn-Ag-Cu, melting point : 219 Centigrade)

Reverse side



JVC

Victor Company of Japan, Limited

AV & MULTIMEDIA COMPANY CAR ELECTRONICS CATEGORY 10-1, 1chome, Ohwatari-machi, Maebashi-city, 371-8543, Japan

(No.MA209SCH)



Printed in Japan
VPT

PARTS LIST

[KV-M705] [KV-M706]

* All printed circuit boards and its assemblies are not available as service parts.

KV-M705	
Area suffix	
E	Southern Europe
UT	Taiwan
UN	Indonesia
HUN	Indonesia
U	Other Areas

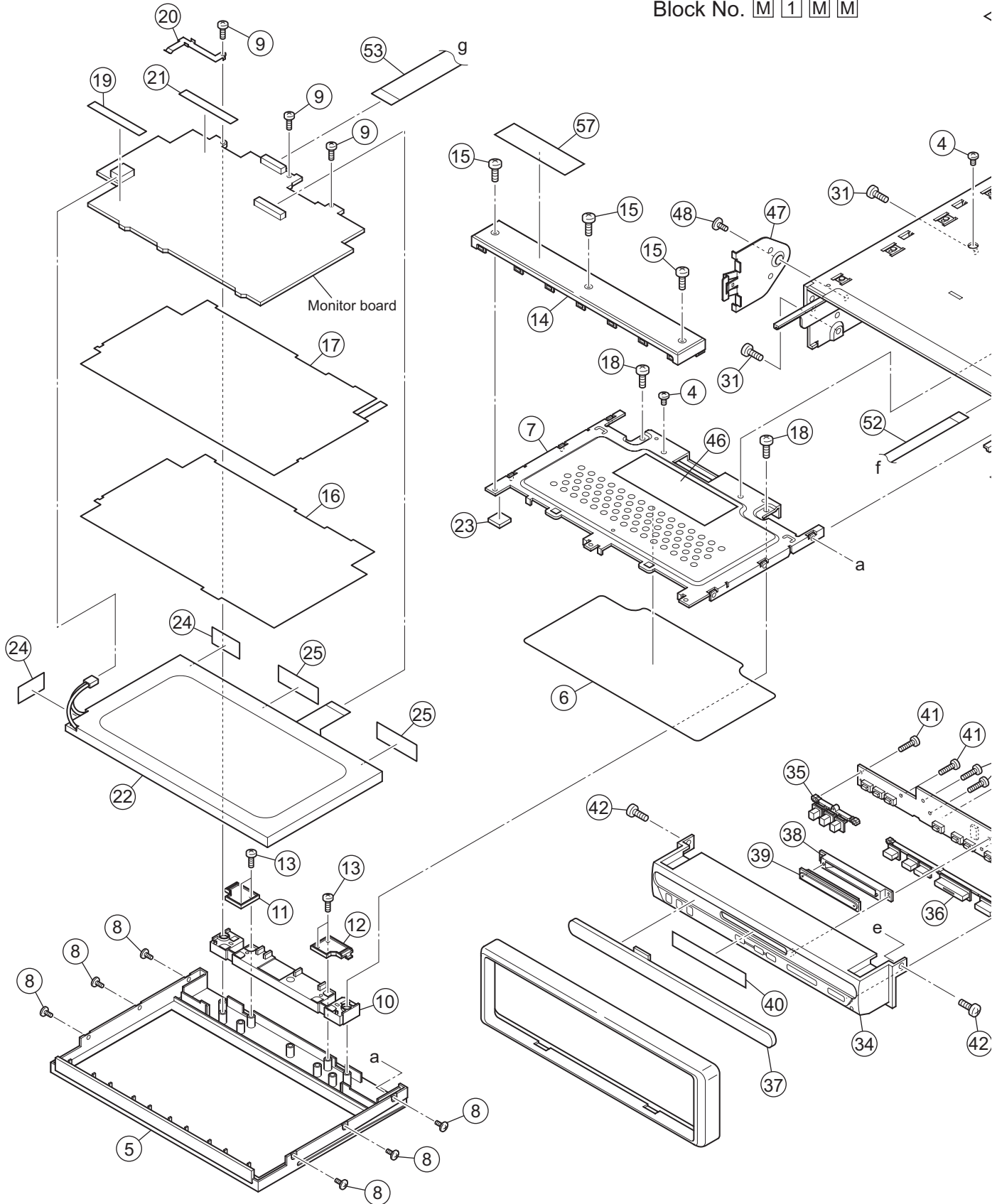
KV-M706	
Area suffix	
J	Northern America
E	Southern Europe
UT	Taiwan
UN	Indonesia
U	Other Areas

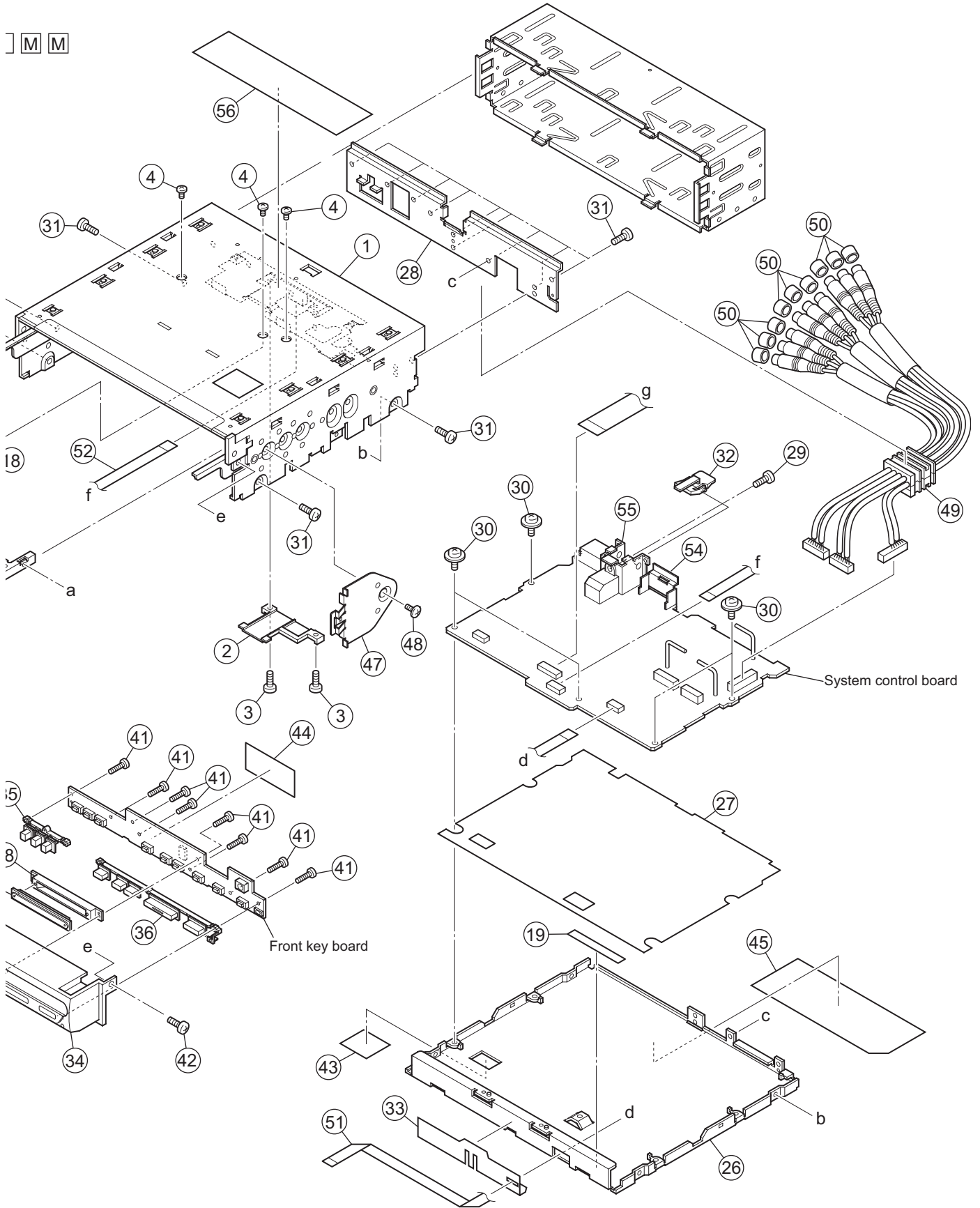
- Contents -

Exploded view of general assembly and parts list (Block No.M1)	3- 2
Electrical parts list (Block No.01~02)	3- 6
Packing materials and accessories parts list (Block No.M3)	3-12

Exploded view of general assembly and parts list

Block No. M 1 M M





General Assembly

Block No. [M][1][M][M]

△	Symbol No.	Part No.	Part Name	Description	Local
	1	LV11150-001A	TOP DRIVE UNIT		
	2	LV34862-002A	F.P.C.GUIDE		
	3	LV44159-001A	MINI SCREW	(x2)	
	4	LV44159-001A	MINI SCREW	(x4)	
	5	LV11145-003A	DISPLAY PANEL		M705E,M705HUN,M705U,M705UN,M705UT
	5	LV11145-004A	DISPLAY PANEL		M706E,M706J,M706U,M706UN,M706UT
	6	LV36181-002A	BLIND SHEET		
	7	LV22124-002A	DISP BACK PANEL		
	8	LV43819-004A	SPECAL SCREW	(x6)	M705E,M705HUN,M705U,M705UN,M705UT
	8	LV43819-003A	SPECAL SCREW	(x6)	M706E,M706J,M706U,M706UN,M706UT
	9	LV44320-001A	SP SCREW	(x3)	
	10	LV22125-001A	GUIDE BASE		
	11	LV36178-001A	GUIDE COVER(L)		
	12	LV36179-001A	GUIDE COVER(R)		
	13	LV44320-001A	SP SCREW	(x4)	
	14	LV22123-001A	DISP REAR COVER		M705E,M705HUN,M705U,M705UN,M705UT
	14	LV22123-002A	DISP REAR COVER		M706E,M706J,M706U,M706UN,M706UT
	15	LV43819-004A	SPECAL SCREW	(x3)	M705E,M705HUN,M705U,M705UN,M705UT
	15	LV43819-003A	SPECAL SCREW	(x3)	M706E,M706J,M706U,M706UN,M706UT
	16	LV36524-002A	TFT SHIELD		
	17	LV36599-001A	PWB SHIELD		
	18	QYSDSF2006MA	TAP SCREW	M2 x 6mm(x2)	
	19	LV40847-011A	SPACER(H)	(x2)	
	20	LV44423-002A	GROUND SPRING		
	21	LV44522-001A	SPACER(CU)		
	22	QLD0382-001	LCD MODULE		
	23	VYSH101-009	SPACER		
	24	LV40848-066A	SPACER(P)	(x2)	
	25	LV40848-067A	SPACER(P)	(x2)	
	26	LV11147-001A	BOTTOM CHASSIS		
	27	LV36186-001A	INSULATOR		
	28	LV36185-001A	REAR BKT		
	29	QYSDST3006MA	TAP SCREW	M3 x 6mm	
	30	LV41200-004A	SPECIAL SCREW	(x5)	
	31	QYSDST2606ZA	TAP SCREW	M2.6 x 6mm(x13)	
	32	LV36409-002A	EJECT LEVER		
	33	LV36570-002A	FFC HOLDER		
	34	LV11146-003A	FRONT PANEL		M705E,M705HUN,M705U,M705UN,M705UT
	34	LV11146-004A	FRONT PANEL		M706E,M706J,M706U,M706UN,M706UT
	35	LV22126-001A	BUTTON L		M705E,M705HUN,M705U,M705UN,M705UT
	35	LV22126-002A	BUTTON L		M706E,M706J,M706U,M706UN,M706UT
	36	LV22127-001A	BUTTON R		M705E,M705HUN,M705U,M705UN,M705UT
	36	LV22127-002A	BUTTON R		M706E,M706J,M706U,M706UN,M706UT
	37	LV36182-001A	FINDER		
	38	LV36183-003A	REFLECT CASE		
	39	LV36184-001A	SILICON COVER		
	40	LV44321-001A	LED FILTER		
	41	VKZ4777-006	MINI SCREW	(x8)	
	42	LV44159-001A	MINI SCREW	(x2)	
	43	LV40848-065A	SPACER(P)		
	44	LV40847-030A	SPACER(H)		
	45	LV36774-002A	NAME PLATE		M705E
	45	LV36187-001A	NAME PLATE		M705HUN,M705U,M705UN,M705UT
	45	LV36777-002A	NAME PLATE		M706E
	45	LV36773-001A	NAME PLATE		M706J
	45	LV36188-001A	NAME PLATE		M706U,M706UN,M706UT
	46	LV44536-001A	CAUTION LABEL		
	47	LV35135-002A	SIDE SPRING B	(x2)	M705E,M705U,M705UN,M705UT,M706E,M706J,M706U,M706UN,M706UT
	48	QYSSSP5006ZA	SCREW	M5 x 6mm(x2)	M705E,M705U,M705UN,M705UT,M706E,M706J,M706U,M706UN,M706UT
	49	QAM0775-001	CAR CABLE		
	50	GE40101-001A	PIN CAP	(x9)	
	51	QUQ105-1318AL-E	FFC WIRE	13pin 18cm	
	52	QAL0777-001	FPC		
	53	QAL0778-001	FPC		
	54	LV41993-003A	REG BKT		
	55	LV36410-001A	BUS BKT		
	56	LV35755-011A	UT LABEL		M705UT
	56	LV35755-012A	UT LABEL		M706UT
	57	LV44164-002A	CAUTION LABEL		M705E
	57	LV44164-001A	CAUTION LABEL		M706E

<MEMO>

Electrical parts list

Main board

Block No. [0][1]				
△ Symbol No.	Part No.	Part Name	Description	Local
IC101	MN101C49KEF	IC		
IC102	BD4833FVE-W	IC		
IC103	SN74AHCT126PW-X	IC(DIGITAL)		
IC201	NJM2526V-X	IC		
IC202	MM1228XF-X	IC		
IC203	MM1228XF-X	IC		
IC251	NJM4565V-X	IC		
IC252	NJM4565V-X	IC		
IC253	CD4052BM-X	IC		
IC301	R2S25400DS-E	IC		
IC302	RSQ035P03-W	MOS FET		
IC303	BA00ASFP-X	IC		
IC461	RPM6938-V4	RM.RECEIVER		
Q101	UN2211-X	TRANSISTOR		
Q102	UN2111-X	TRANSISTOR		
Q251	UN2211-X	TRANSISTOR		
Q252	UN2211-X	TRANSISTOR		
Q253	2SB709A/QR/-X	TRANSISTOR		
Q254	UN2111-X	TRANSISTOR		
Q255	UN2111-X	TRANSISTOR		
Q256	2SD1781K/QR/-X	TRANSISTOR		
Q257	2SD1781K/QR/-X	TRANSISTOR		
Q258	UN2211-X	TRANSISTOR		
Q301	2SD601A/QR/-X	TRANSISTOR		
Q302	2SD601A/QR/-X	TRANSISTOR		
Q303	UN2213-X	DIGI TRANSISTOR		
Q304	2SB709A/QR/-X	TRANSISTOR		
Q307	UN2211-X	TRANSISTOR		
Q308	2SD601A/QR/-X	TRANSISTOR		
Q309	UN2211-X	TRANSISTOR		
Q310	UN2211-X	TRANSISTOR		
Q311	2SB709A/QR/-X	TRANSISTOR		
Q312	UN2211-X	TRANSISTOR		
Q341	UN2211-X	TRANSISTOR		
Q343	UN2211-X	TRANSISTOR		
D101	MA111-X	SI DIODE		
D201	MA111-X	SI DIODE		
D202	MA111-X	SI DIODE		
D251	MA111-X	SI DIODE		
D252	MA152WA-X	DIODE		
D253	MA8110/M/-X	Z DIODE		
D301	1N5401-F64	DIODE		
D302	MA111-X	SI DIODE		
D303	MA8062/M/-X	Z DIODE		
D304	MA111-X	SI DIODE		
D317	MA111-X	SI DIODE		
D341	MA8062/M/-X	Z DIODE		
D361	RB160M-30-X	SB DIODE		
D401	SML-310VT/JK/-X	LED		
D402	SML-310VT/JK/-X	LED		
D403	SML-310VT/JK/-X	LED		
D404	SML-310VT/JK/-X	LED		
D405	SML-310VT/JK/-X	LED		
D406	SML-310VT/JK/-X	LED		
D407	SML-310VT/JK/-X	LED		
D408	SML-310VT/JK/-X	LED		
D415	NECBB205/WQR/-X	LED		
D421	SML-310VT/JK/-X	LED		
C102	NCB31HK-102X	C CAPACITOR	1000pF 50V K	
C103	NCB31HK-102X	C CAPACITOR	1000pF 50V K	
C104	NCF31CZ-104X	C CAPACITOR	0.1uF 16V Z	
C105	NCF31CZ-104X	C CAPACITOR	0.1uF 16V Z	
C106	NCF31CZ-104X	C CAPACITOR	0.1uF 16V Z	
C107	NDC31HJ-3R0X	C CAPACITOR	3pF 50V J	
C108	NDC31HJ-3R0X	C CAPACITOR	3pF 50V J	
C109	NDC31HJ-101X	C CAPACITOR	100pF 50V J	
C110	NDC31HJ-101X	C CAPACITOR	100pF 50V J	
C112	NCF31CZ-104X	C CAPACITOR	0.1uF 16V Z	
C113	NEHN0JM-337X	E CAPACITOR	330uF 6.3V M	

△ Symbol No.	Part No.	Part Name	Description	Local
C116	NCF31CZ-104X	C CAPACITOR	0.1uF 16V Z	
C117	NEAF1CM-476X	E CAPACITOR	47uF 16V M	
C118	NCF31CZ-104X	C CAPACITOR	0.1uF 16V Z	
C119	NCF31CZ-104X	C CAPACITOR	0.1uF 16V Z	
C121	NCF31HZ-473X	C CAPACITOR	0.047uF 50V Z	
C124	NCF31CZ-104X	C CAPACITOR	0.1uF 16V Z	
C125	NDC31HJ-101X	C CAPACITOR	100pF 50V J	
C127	NDC31HJ-220X	C CAPACITOR	22pF 50V J	
C128	NDC31HJ-220X	C CAPACITOR	22pF 50V J	
C129	NCB31HK-102X	C CAPACITOR	1000pF 50V K	
C201	NEAF1CM-106X	E CAPACITOR	10uF 16V M	
C202	NEAF1CM-106X	E CAPACITOR	10uF 16V M	
C203	NEAF1CM-106X	E CAPACITOR	10uF 16V M	
C204	NEAF1AM-107X	E CAPACITOR	100uF 10V M	
C205	NCF31CZ-104X	C CAPACITOR	0.1uF 16V Z	
C206	NCB31HK-103X	C CAPACITOR	0.01uF 50V K	
C207	NCZ1063-104X	C CAPACITOR	0.1uF	
C208	NCJ11EK-106X-R	C CAPACITOR		
C209	NCF31CZ-104X	C CAPACITOR	0.1uF 16V Z	
C210	NCF31CZ-104X	C CAPACITOR	0.1uF 16V Z	
C211	NEHN1CM-477X	E CAPACITOR	470uF 16V M	
C213	NEHN1CM-477X	E CAPACITOR	470uF 16V M	
C217	NCF31CZ-104X	C CAPACITOR	0.1uF 16V Z	
C218	NCF31CZ-104X	C CAPACITOR	0.1uF 16V Z	
C221	NCF31CZ-104X	C CAPACITOR	0.1uF 16V Z	
C222	NCF31CZ-104X	C CAPACITOR	0.1uF 16V Z	
C225	NEAF1CM-106X	E CAPACITOR	10uF 16V M	
C226	NEAF1CM-106X	E CAPACITOR	10uF 16V M	
C227	NEAF1CM-106X	E CAPACITOR	10uF 16V M	
C231	NCF31CZ-104X	C CAPACITOR	0.1uF 16V Z	
C232	NCF31CZ-104X	C CAPACITOR	0.1uF 16V Z	
C251	NEAF1EM-475X	E CAPACITOR	4.7uF 25V M	
C252	NEAF1EM-475X	E CAPACITOR	4.7uF 25V M	
C253	NEAF1EM-475X	E CAPACITOR	4.7uF 25V M	
C254	NEAF1EM-475X	E CAPACITOR	4.7uF 25V M	
C255	NEAF1EM-475X	E CAPACITOR	4.7uF 25V M	
C256	NEAF1EM-475X	E CAPACITOR	4.7uF 25V M	
C257	NDC31HJ-101X	C CAPACITOR	100pF 50V J	
C258	NDC31HJ-101X	C CAPACITOR	100pF 50V J	
C259	NDC31HJ-101X	C CAPACITOR	100pF 50V J	
C260	NDC31HJ-101X	C CAPACITOR	100pF 50V J	
C261	NEAF1CM-476X	E CAPACITOR	47uF 16V M	
C262	NCF31CZ-104X	C CAPACITOR	0.1uF 16V Z	
C263	NCF31CZ-104X	C CAPACITOR	0.1uF 16V Z	
C264	NDC31HJ-101X	C CAPACITOR	100pF 50V J	
C265	NEAF1CM-226X	E CAPACITOR	22uF 16V M	
C266	NCF31CZ-104X	C CAPACITOR	0.1uF 16V Z	
C267	NCF31CZ-104X	C CAPACITOR	0.1uF 16V Z	
C268	NDC31HJ-101X	C CAPACITOR	100pF 50V J	
C269	NEAF1CM-226X	E CAPACITOR	22uF 16V M	
C270	NEAF1CM-476X	E CAPACITOR	47uF 16V M	
C271	NCF31CZ-104X	C CAPACITOR	0.1uF 16V Z	
C272	NEAF1EM-475X	E CAPACITOR	4.7uF 25V M	
C273	NEAF1EM-475X	E CAPACITOR	4.7uF 25V M	
C274	NDC31HJ-101X	C CAPACITOR	100pF 50V J	
C275	NDC31HJ-101X	C CAPACITOR	100pF 50V J	
C276	NEAF1EM-475X	E CAPACITOR	4.7uF 25V M	
C277	NEAF1EM-475X	E CAPACITOR	4.7uF 25V M	
C278	NDC31HJ-101X	C CAPACITOR	100pF 50V J	
C279	NDC31HJ-101X	C CAPACITOR	100pF 50V J	
C280	NEAF1CM-476X	E CAPACITOR	47uF 16V M	
C283	NEAF1CM-476X	E CAPACITOR	47uF 16V M	
C303	NCB31HK-104X	C CAPACITOR	0.1uF 50V K	
C304	NCB31HK-104X	C CAPACITOR	0.1uF 50V K	
C306	QEZ0625-338	E CAPACITOR	3300uF	
C307	NCB31HK-103X	C CAPACITOR	0.01uF 50V K	
C309	NCB31HK-104X	C CAPACITOR	0.1uF 50V K	
C310	NEAF1CM-476X	E CAPACITOR	47uF 16V M	
C311	NCB31HK-103X	C CAPACITOR	0.01uF 50V K	
C312	NEAF1CM-106X	E CAPACITOR	10uF 16V M	
C313	NEAF1CM-476X	E CAPACITOR	47uF 16V M	
C314	NCF31CZ-104X	C CAPACITOR	0.1uF 16V Z	
C315	NCB31HK-103X	C CAPACITOR	0.01uF 50V K	
C316	NEAF1AM-107X	E CAPACITOR	100uF 10V M	
C317	NCB31HK-103X	C CAPACITOR	0.01uF 50V K	
C318	NEAF1CM-106X	E CAPACITOR	10uF 16V M	

△ Symbol No.	Part No.	Part Name	Description	Local	△ Symbol No.	Part No.	Part Name	Description	Local
C319	NCF31CZ-104X	C CAPACITOR	0.1uF 16V Z		R134	NRSA63J-223X	MG RESISTOR	22kΩ 1/16W J	
C320	NCB31HK-103X	C CAPACITOR	0.01uF 50V K		R135	NRSA63J-473X	MG RESISTOR	47kΩ 1/16W J	
C321	NCB31HK-103X	C CAPACITOR	0.01uF 50V K		R136	NRSA63J-471X	MG RESISTOR	470Ω 1/16W J	
C322	NEAF1CM-476X	E CAPACITOR	47uF 16V M		R137	NRSA63J-471X	MG RESISTOR	470Ω 1/16W J	
C323	NEAF1CM-106X	E CAPACITOR	10uF 16V M		R138	NRSA63J-471X	MG RESISTOR	470Ω 1/16W J	
C324	NCB31HK-103X	C CAPACITOR	0.01uF 50V K		R139	NRSA63J-471X	MG RESISTOR	470Ω 1/16W J	
C325	NEAF1CM-476X	E CAPACITOR	47uF 16V M		R140	NRSA63J-471X	MG RESISTOR	470Ω 1/16W J	
C326	NCF31CZ-104X	C CAPACITOR	0.1uF 16V Z		R141	NRSA63J-471X	MG RESISTOR	470Ω 1/16W J	
C327	NCF31CZ-104X	C CAPACITOR	0.1uF 16V Z		R142	NRSA63J-471X	MG RESISTOR	470Ω 1/16W J	
C328	NCF31CZ-104X	C CAPACITOR	0.1uF 16V Z		R143	NRSA63J-471X	MG RESISTOR	470Ω 1/16W J	
C329	NCJ11EK-106X-R	C CAPACITOR			R144	NRSA63J-471X	MG RESISTOR	470Ω 1/16W J	
C330	NCF31CZ-104X	C CAPACITOR	0.1uF 16V Z		R145	NRSA63J-471X	MG RESISTOR	470Ω 1/16W J	
C334	NCF31CZ-104X	C CAPACITOR	0.1uF 16V Z		R146	NRSA63J-471X	MG RESISTOR	470Ω 1/16W J	
C335	NCJ11EK-106X-R	C CAPACITOR			R147	NRSA63J-471X	MG RESISTOR	470Ω 1/16W J	
C337	NCB31HK-104X	C CAPACITOR	0.1uF 50V K		R148	NRSA63J-471X	MG RESISTOR	470Ω 1/16W J	
C341	NCB31HK-103X	C CAPACITOR	0.01uF 50V K		R149	NRSA63J-471X	MG RESISTOR	470Ω 1/16W J	
C343	NEAF1CM-106X	E CAPACITOR	10uF 16V M		R150	NRSA63J-471X	MG RESISTOR	470Ω 1/16W J	
C345	NCF31CZ-104X	C CAPACITOR	0.1uF 16V Z		R151	NRSA63J-471X	MG RESISTOR	470Ω 1/16W J	
C346	NEAF1CM-106X	E CAPACITOR	10uF 16V M		R152	NRSA63J-474X	MG RESISTOR	470kΩ 1/16W J	
C347	NCB31HK-103X	C CAPACITOR	0.01uF 50V K		R154	NRSA63J-473X	MG RESISTOR	47kΩ 1/16W J	
C362	NDC31HJ-101X	C CAPACITOR	100pF 50V J		R156	NRSA63J-471X	MG RESISTOR	470Ω 1/16W J	
C363	NDC31HJ-101X	C CAPACITOR	100pF 50V J		R159	NRSA63J-471X	MG RESISTOR	470Ω 1/16W J	
C371	NCB31HK-102X	C CAPACITOR	1000pF 50V K		R160	NRSA63J-0R0X	MG RESISTOR	0Ω 1/16W J	
C372	NCB31HK-102X	C CAPACITOR	1000pF 50V K		R161	NRSA63J-103X	MG RESISTOR	10kΩ 1/16W J	
C373	NCB31HK-102X	C CAPACITOR	1000pF 50V K		R162	NRSA63J-103X	MG RESISTOR	10kΩ 1/16W J	
C374	NCB31HK-102X	C CAPACITOR	1000pF 50V K		R163	NRSA63J-103X	MG RESISTOR	10kΩ 1/16W J	
C375	NDC31HJ-101X	C CAPACITOR	100pF 50V J		R165	NRSA63J-0R0X	MG RESISTOR	0Ω 1/16W J	
C376	NDC31HJ-101X	C CAPACITOR	100pF 50V J		R167	NRSA63J-471X	MG RESISTOR	470Ω 1/16W J	
C377	NDC31HJ-101X	C CAPACITOR	100pF 50V J		R168	NRSA63J-471X	MG RESISTOR	470Ω 1/16W J	
C378	NCB31HK-102X	C CAPACITOR	1000pF 50V K		R169	NRSA63J-471X	MG RESISTOR	470Ω 1/16W J	
C379	NCB31HK-102X	C CAPACITOR	1000pF 50V K		R171	NRSA63J-103X	MG RESISTOR	10kΩ 1/16W J	
C380	NDC31HJ-101X	C CAPACITOR	100pF 50V J		R172	NRSA63J-471X	MG RESISTOR	470Ω 1/16W J	
C384	NDC31HJ-101X	C CAPACITOR	100pF 50V J		R175	NRSA63J-222X	MG RESISTOR	2.2kΩ 1/16W J	
C391	NCF31CZ-104X	C CAPACITOR	0.1uF 16V Z		R176	NRSA63J-222X	MG RESISTOR	2.2kΩ 1/16W J	
C392	NCF31CZ-104X	C CAPACITOR	0.1uF 16V Z		R177	NRSA63J-103X	MG RESISTOR	10kΩ 1/16W J	
C393	NCF31CZ-104X	C CAPACITOR	0.1uF 16V Z		R178	NRSA63J-103X	MG RESISTOR	10kΩ 1/16W J	
C394	NCF31CZ-104X	C CAPACITOR	0.1uF 16V Z		R201	NRSA63J-181X	MG RESISTOR	180Ω 1/16W J	
C395	NEAF1AM-107X	E CAPACITOR	100uF 10V M		R202	NRSA63J-682X	MG RESISTOR	6.8kΩ 1/16W J	
C396	NCJ11EK-106X-R	C CAPACITOR			R203	NRSA63J-151X	MG RESISTOR	150Ω 1/16W J	
C397	NCJ11EK-106X-R	C CAPACITOR			R204	NRSA63J-151X	MG RESISTOR	150Ω 1/16W J	
C451	NCB31HK-103X	C CAPACITOR	0.01uF 50V K		R205	NRSA63J-471X	MG RESISTOR	470Ω 1/16W J	
C461	NCJ11EK-106X-R	C CAPACITOR			R206	NRSA63J-471X	MG RESISTOR	470Ω 1/16W J	
C471	NCF31CZ-104X	C CAPACITOR	0.1uF 16V Z		R207	NRSA63J-151X	MG RESISTOR	150Ω 1/16W J	
C472	NCF31CZ-104X	C CAPACITOR	0.1uF 16V Z		R208	NRSA63J-151X	MG RESISTOR	150Ω 1/16W J	
C473	NCF31CZ-104X	C CAPACITOR	0.1uF 16V Z		R209	NRSA63J-104X	MG RESISTOR	100kΩ 1/16W J	
R101	NRSA63J-103X	MG RESISTOR	10kΩ 1/16W J		R210	NRSA63J-151X	MG RESISTOR	150Ω 1/16W J	
R102	NRSA63J-103X	MG RESISTOR	10kΩ 1/16W J		R211	NRSA63J-151X	MG RESISTOR	150Ω 1/16W J	
R103	NRSA63J-473X	MG RESISTOR	47kΩ 1/16W J		R212	NRSA63J-151X	MG RESISTOR	150Ω 1/16W J	
R104	NRSA63J-471X	MG RESISTOR	470Ω 1/16W J		R213	NRSA63J-151X	MG RESISTOR	150Ω 1/16W J	
R105	NRSA63J-471X	MG RESISTOR	470Ω 1/16W J		R214	NRSA63J-0R0X	MG RESISTOR	0Ω 1/16W J	
R106	NRSA63J-332X	MG RESISTOR	3.3kΩ 1/16W J		R215	NRSA63J-0R0X	MG RESISTOR	0Ω 1/16W J	
R107	NRSA63J-332X	MG RESISTOR	3.3kΩ 1/16W J		R217	NRSA63J-105X	MG RESISTOR	1MΩ 1/16W J	
R108	NRSA63J-331X	MG RESISTOR	330Ω 1/16W J		R218	NRSA63J-105X	MG RESISTOR	1MΩ 1/16W J	
R109	NRSA63J-0R0X	MG RESISTOR	0Ω 1/16W J		R219	NRSA63J-473X	MG RESISTOR	47kΩ 1/16W J	
R111	NRSA63J-392X	MG RESISTOR	3.9kΩ 1/16W J		R220	NRSA63J-473X	MG RESISTOR	47kΩ 1/16W J	
R112	NRSA63J-392X	MG RESISTOR	3.9kΩ 1/16W J		R221	NRSA63J-105X	MG RESISTOR	1MΩ 1/16W J	
R113	NRSA63J-392X	MG RESISTOR	3.9kΩ 1/16W J		R222	NRSA63J-105X	MG RESISTOR	1MΩ 1/16W J	
R114	NRSA63J-392X	MG RESISTOR	3.9kΩ 1/16W J		R225	NRSA63J-101X	MG RESISTOR	100Ω 1/16W J	
R115	NRSA63J-473X	MG RESISTOR	47kΩ 1/16W J		R226	NRSA63J-101X	MG RESISTOR	100Ω 1/16W J	
R116	NRSA63J-221X	MG RESISTOR	220Ω 1/16W J		R227	NRSA63J-101X	MG RESISTOR	100Ω 1/16W J	
R117	NRSA63J-104X	MG RESISTOR	100kΩ 1/16W J		R228	NRSA63J-101X	MG RESISTOR	100Ω 1/16W J	
R118	NRSA63J-103X	MG RESISTOR	10kΩ 1/16W J		R231	NRSA63J-101X	MG RESISTOR	100Ω 1/16W J	
R119	NRSA63J-471X	MG RESISTOR	470Ω 1/16W J		R232	NRSA63J-101X	MG RESISTOR	100Ω 1/16W J	
R120	NRSA63J-471X	MG RESISTOR	470Ω 1/16W J		R233	NRSA63J-103X	MG RESISTOR	10kΩ 1/16W J	
R121	NRSA63J-471X	MG RESISTOR	470Ω 1/16W J		R235	NRSA63J-0R0X	MG RESISTOR	0Ω 1/16W J	
R122	NRSA63J-102X	MG RESISTOR	1kΩ 1/16W J		R237	NRSA63J-104X	MG RESISTOR	100kΩ 1/16W J	
R123	NRSA63J-101X	MG RESISTOR	100Ω 1/16W J		R238	NRSA63J-473X	MG RESISTOR	47kΩ 1/16W J	
R124	NRSA63J-472X	MG RESISTOR	4.7kΩ 1/16W J		R241	NRSA63J-0R0X	MG RESISTOR	0Ω 1/16W J	
R125	NRSA63J-101X	MG RESISTOR	100Ω 1/16W J		R242	NRSA63J-102X	MG RESISTOR	1kΩ 1/16W J	
R126	NRSA63J-104X	MG RESISTOR	100kΩ 1/16W J		R243	NRSA63J-102X	MG RESISTOR	1kΩ 1/16W J	
R127	NRSA63J-223X	MG RESISTOR	22kΩ 1/16W J		R244	NRSA63J-0R0X	MG RESISTOR	0Ω 1/16W J	
R128	NRSA63J-101X	MG RESISTOR	100Ω 1/16W J		R245	NRSA63J-0R0X	MG RESISTOR	0Ω 1/16W J	
R129	NRSA63J-473X	MG RESISTOR	47kΩ 1/16W J		R246	NRSA63J-102X	MG RESISTOR	1kΩ 1/16W J	
R130	NRSA63J-103X	MG RESISTOR	10kΩ 1/16W J		R251	NRSA63J-223X	MG RESISTOR	22kΩ 1/16W J	
R131	NRSA63J-104X	MG RESISTOR	100kΩ 1/16W J		R252	NRSA63J-223X	MG RESISTOR	22kΩ 1/16W J	
R132	NRSA63J-331X	MG RESISTOR	330Ω 1/16W J		R253	NRSA63J-223X	MG RESISTOR	22kΩ 1/16W J	
R133	NRSA63J-101X	MG RESISTOR	100Ω 1/16W J		R254	NRSA63J-223X	MG RESISTOR	22kΩ 1/16W J	
					R255	NRSA63J-153X	MG RESISTOR	15kΩ 1/16W J	

△ Symbol No.	Part No.	Part Name	Description	Local	△ Symbol No.	Part No.	Part Name	Description	Local
R256	NRSA63J-104X	MG RESISTOR	100kΩ 1/16W J		R353	NRSA63J-0R0X	MG RESISTOR	0Ω 1/16W J	
R257	NRSA63J-153X	MG RESISTOR	15kΩ 1/16W J		R354	NRSA63J-0R0X	MG RESISTOR	0Ω 1/16W J	
R258	NRSA63J-153X	MG RESISTOR	15kΩ 1/16W J		R355	NRSA63J-0R0X	MG RESISTOR	0Ω 1/16W J	
R259	NRSA63J-153X	MG RESISTOR	15kΩ 1/16W J		R356	NRSA63J-0R0X	MG RESISTOR	0Ω 1/16W J	
R260	NRSA63J-104X	MG RESISTOR	100kΩ 1/16W J		R358	NRSA63J-0R0X	MG RESISTOR	0Ω 1/16W J	
R261	NRSA63J-153X	MG RESISTOR	15kΩ 1/16W J		R361	NRSA63J-101X	MG RESISTOR	100Ω 1/16W J	
R262	NRSA63J-153X	MG RESISTOR	15kΩ 1/16W J		R381	NRSA63J-0R0X	MG RESISTOR	0Ω 1/16W J	
R263	NRSA63J-153X	MG RESISTOR	15kΩ 1/16W J		R382	NRSA63J-0R0X	MG RESISTOR	0Ω 1/16W J	
R264	NRSA63J-153X	MG RESISTOR	15kΩ 1/16W J		R383	NRSA63J-0R0X	MG RESISTOR	0Ω 1/16W J	
R265	NRSA63J-153X	MG RESISTOR	15kΩ 1/16W J		R384	NRSA63J-0R0X	MG RESISTOR	0Ω 1/16W J	
R266	NRSA63J-153X	MG RESISTOR	15kΩ 1/16W J		R385	NRSA63J-0R0X	MG RESISTOR	0Ω 1/16W J	
R267	NRSA63J-473X	MG RESISTOR	47kΩ 1/16W J		R386	NRSA63J-0R0X	MG RESISTOR	0Ω 1/16W J	
R268	NRSA63J-473X	MG RESISTOR	47kΩ 1/16W J		R387	NRSA63J-0R0X	MG RESISTOR	0Ω 1/16W J	
R269	NRSA63J-473X	MG RESISTOR	47kΩ 1/16W J		R388	NRSA63J-0R0X	MG RESISTOR	0Ω 1/16W J	
R270	NRSA63J-473X	MG RESISTOR	47kΩ 1/16W J		R389	NRSA63J-0R0X	MG RESISTOR	0Ω 1/16W J	
R271	NRSA63J-153X	MG RESISTOR	15kΩ 1/16W J		R390	NRSA63J-0R0X	MG RESISTOR	0Ω 1/16W J	
R272	NRSA63J-153X	MG RESISTOR	15kΩ 1/16W J		R391	NRSA63J-0R0X	MG RESISTOR	0Ω 1/16W J	
R273	NRSA63J-102X	MG RESISTOR	1kΩ 1/16W J		R392	NRSA63J-0R0X	MG RESISTOR	0Ω 1/16W J	
R274	NRSA63J-102X	MG RESISTOR	1kΩ 1/16W J		R393	NRSA63J-0R0X	MG RESISTOR	0Ω 1/16W J	
R275	NRSA63J-102X	MG RESISTOR	1kΩ 1/16W J		R401	NRSA63J-821X	MG RESISTOR	820Ω 1/16W J	
R276	NRSA63J-102X	MG RESISTOR	1kΩ 1/16W J		R402	NRSA63J-821X	MG RESISTOR	820Ω 1/16W J	
R277	NRSA63J-0R0X	MG RESISTOR	0Ω 1/16W J		R403	NRSA63J-821X	MG RESISTOR	820Ω 1/16W J	
R278	NRSA63J-0R0X	MG RESISTOR	0Ω 1/16W J		R404	NRSA63J-821X	MG RESISTOR	820Ω 1/16W J	
R279	NRSA63J-473X	MG RESISTOR	47kΩ 1/16W J		R405	NRSA63J-821X	MG RESISTOR	820Ω 1/16W J	
R280	NRSA63J-473X	MG RESISTOR	47kΩ 1/16W J		R406	NRSA63J-821X	MG RESISTOR	820Ω 1/16W J	
R281	NRSA63J-102X	MG RESISTOR	1kΩ 1/16W J		R407	NRSA63J-821X	MG RESISTOR	820Ω 1/16W J	
R282	NRSA63J-102X	MG RESISTOR	1kΩ 1/16W J		R408	NRSA63J-821X	MG RESISTOR	820Ω 1/16W J	
R283	NRSA63J-473X	MG RESISTOR	47kΩ 1/16W J		R415	NRSA63J-471X	MG RESISTOR	470Ω 1/16W J	
R284	NRSA63J-473X	MG RESISTOR	47kΩ 1/16W J		R416	NRSA63J-471X	MG RESISTOR	470Ω 1/16W J	
R285	NRSA63J-103X	MG RESISTOR	10kΩ 1/16W J		R419	NRSA63J-0R0X	MG RESISTOR	0Ω 1/16W J	
R286	NRSA63J-103X	MG RESISTOR	10kΩ 1/16W J		R421	NRSA63J-271X	MG RESISTOR	270Ω 1/16W J	
R287	NRSA63J-102X	MG RESISTOR	1kΩ 1/16W J		R432	NRSA63J-222X	MG RESISTOR	2.2kΩ 1/16W J	
R288	NRSA63J-102X	MG RESISTOR	1kΩ 1/16W J		R433	NRSA63J-472X	MG RESISTOR	4.7kΩ 1/16W J	
R289	NRSA63J-222X	MG RESISTOR	2.2kΩ 1/16W J		R434	NRSA63J-103X	MG RESISTOR	10kΩ 1/16W J	
R290	NRSA63J-473X	MG RESISTOR	47kΩ 1/16W J		R435	NRSA63J-471X	MG RESISTOR	470Ω 1/16W J	
R291	NRSA63J-473X	MG RESISTOR	47kΩ 1/16W J		R441	NRSA63J-0R0X	MG RESISTOR	0Ω 1/16W J	
R292	NRSA63J-103X	MG RESISTOR	10kΩ 1/16W J		R442	NRSA63J-222X	MG RESISTOR	2.2kΩ 1/16W J	
R293	NRSA63J-222X	MG RESISTOR	2.2kΩ 1/16W J		R443	NRSA63J-472X	MG RESISTOR	4.7kΩ 1/16W J	
R294	NRSA63J-222X	MG RESISTOR	2.2kΩ 1/16W J		R444	NRSA63J-103X	MG RESISTOR	10kΩ 1/16W J	
R297	NRSA63J-101X	MG RESISTOR	100Ω 1/16W J		R451	NRSA63J-471X	MG RESISTOR	470Ω 1/16W J	
R298	NRSA63J-101X	MG RESISTOR	100Ω 1/16W J		R452	NRSA63J-0R0X	MG RESISTOR	0Ω 1/16W J	
R301	NRSA63J-104X	MG RESISTOR	100kΩ 1/16W J		R461	NRSA63J-470X	MG RESISTOR	47Ω 1/16W J	
R302	NRSA63J-103X	MG RESISTOR	10kΩ 1/16W J		R462	NRSA63J-471X	MG RESISTOR	470Ω 1/16W J	
R303	NRSA63J-473X	MG RESISTOR	47kΩ 1/16W J		R463	NRSA63J-103X	MG RESISTOR	10kΩ 1/16W J	
R304	NRSA63J-823X	MG RESISTOR	82kΩ 1/16W J		R471	NRSA63J-0R0X	MG RESISTOR	0Ω 1/16W J	
R305	NRSA63J-333X	MG RESISTOR	33kΩ 1/16W J		R472	NRSA63J-0R0X	MG RESISTOR	0Ω 1/16W J	
R306	NRSA63J-104X	MG RESISTOR	100kΩ 1/16W J		R473	NRSA63J-0R0X	MG RESISTOR	0Ω 1/16W J	
R307	NRSA63J-183X	MG RESISTOR	18kΩ 1/16W J		R474	NRSA63J-0R0X	MG RESISTOR	0Ω 1/16W J	
R308	NRSA63J-823X	MG RESISTOR	82kΩ 1/16W J		R475	NRSA63J-0R0X	MG RESISTOR	0Ω 1/16W J	
R309	NRSA63J-103X	MG RESISTOR	10kΩ 1/16W J		L101	NQL085J-220X	COIL	22uH J	
R310	NRSA63J-822X	MG RESISTOR	8.2kΩ 1/16W J		L301	QQR1620-001	CHOKE COIL		
R312	NRSA63J-472X	MG RESISTOR	4.7kΩ 1/16W J		L302	NQL79GM-220X	COIL	22uH M	
R313	NRSA63J-562X	MG RESISTOR	5.6kΩ 1/16W J		L303	NQL49CM-4R7X	COIL	4.7uH M	
R314	NRSA63J-102X	MG RESISTOR	1kΩ 1/16W J		L361	NRSA63J-0R0X	MG RESISTOR	0Ω 1/16W J	
R317	NRSA63J-103X	MG RESISTOR	10kΩ 1/16W J		L391	NQL32CM-100X	COIL	10uH M	
R318	NRSA63J-473X	MG RESISTOR	47kΩ 1/16W J		BZ101	QAN0023-001Z	BUZZER		
R319	NRSA63J-473X	MG RESISTOR	47kΩ 1/16W J		CN101	QGA1002F1-07X	CONNECTOR	W-B (1-7)	
R320	NRSA63J-473X	MG RESISTOR	47kΩ 1/16W J		CN301	QGA4201F1-08	CONNECTOR	W-B (1-8)	
R321	NRSA63J-473X	MG RESISTOR	47kΩ 1/16W J		CN351	QGF0534F1-13X	CONNECTOR	FFC/FCP (1-13)	
R322	NRSA63J-473X	MG RESISTOR	47kΩ 1/16W J		CN361	QNZ0690-001	D CONNECTOR		
R323	NRSA63J-223X	MG RESISTOR	22kΩ 1/16W J		CN371	QGA2501C1-05	CONNECTOR	W-B (1-5)	
R324	NRSA63J-223X	MG RESISTOR	22kΩ 1/16W J		CN372	QGA2501C1-07	CONNECTOR	W-B (1-7)	
R325	NRSA63J-222X	MG RESISTOR	2.2kΩ 1/16W J		CN373	QGA2501C1-06	CONNECTOR	W-B (1-6)	
R326	NRSA63J-473X	MG RESISTOR	47kΩ 1/16W J		CN391	QGF0534F1-16X	CONNECTOR	FFC/FCP (1-16)	
R327	NRSA63J-473X	MG RESISTOR	47kΩ 1/16W J		CN392	QGF0534F1-24X	CONNECTOR	FFC/FCP (1-24)	
R328	NRSA63J-103X	MG RESISTOR	10kΩ 1/16W J		CN471	QGF0534F1-13X	CONNECTOR	FFC/FCP (1-13)	
R332	NRSA63J-102X	MG RESISTOR	1kΩ 1/16W J		F301	NMFZ018-3R0X-E	FUSE	3A	
R333	NRSA63J-682X	MG RESISTOR	6.8kΩ 1/16W J		F391	NMFZ018-1R5X-E	FUSE	1.5A	
R334	NRSA63J-222X	MG RESISTOR	2.2kΩ 1/16W J		K201	NQR0288-004X	FERRITE BEADS		
R335	NRSA63J-0R0X	MG RESISTOR	0Ω 1/16W J		PP1	QZW0010-001	STYLE PIN		
R341	NRSA63J-473X	MG RESISTOR	47kΩ 1/16W J		PP2	QZW0010-001	STYLE PIN		
R342	NRSA63J-473X	MG RESISTOR	47kΩ 1/16W J		PP3	QZW0010-001	STYLE PIN		
R345	NRSA63J-473X	MG RESISTOR	47kΩ 1/16W J		S431	NSW0206-001X	TACT SWITCH		
R346	NRSA63J-103X	MG RESISTOR	10kΩ 1/16W J		S432	NSW0206-001X	TACT SWITCH		
R347	NRSA63J-472X	MG RESISTOR	4.7kΩ 1/16W J		S433	NSW0206-001X	TACT SWITCH		
R348	NRSA63J-512X	MG RESISTOR	5.1kΩ 1/16W J		S434	NSW0206-001X	TACT SWITCH		
R351	NRSA63J-0R0X	MG RESISTOR	0Ω 1/16W J						
R352	NRSA63J-0R0X	MG RESISTOR	0Ω 1/16W J						

△ Symbol No.	Part No.	Part Name	Description	Local
S435	NSW0206-001X	TACT SWITCH		
S441	NSW0206-001X	TACT SWITCH		
S442	NSW0206-001X	TACT SWITCH		
S443	NSW0206-001X	TACT SWITCH		
S444	NSW0206-001X	TACT SWITCH		
S451	NSW0220-001X	TACT SW		
X101	NAX0688-001X	CRYSTAL		
X102	NAX0244-001X	CRYSTAL		

Monitor board

Block No. [0][2]

△ Symbol No.	Part No.	Part Name	Description	Local
IC511	BR24L02F-W-X	IC		
IC521	CD4094BPW-X	IC		
IC601	RB5P0090M	IC		
IC631	LC74772V-9015-X	IC		
IC691	MM1510XN-X	IC		
IC701	MN5814	IC		
IC702	BD4827FVE-W	IC		
IC703	SN74AHCT04PW-X	IC		
IC741	SN74LVC3G14U-X	IC		
IC761	NJM2107F-X	IC		
IC801	NJM78L05UA-X	IC		
IC811	OZ9611SN-X	IC		
IC901	MM3203AF-X	IC		
IC911	NJM78L12UA-X	IC		
IC921	MM1563DF-X	IC		
Q601	UNR9212J-X	DIGI TRANSISTOR		
Q631	2SC4097/R/-X	TRANSISTOR		
Q632	2SC4097/R/-X	TRANSISTOR		
Q633	2SC4097/R/-X	TRANSISTOR		
Q651	2SC4097/R/-X	TRANSISTOR		
Q652	2SB709A/QR/-X	TRANSISTOR		
Q653	2SC4097/R/-X	TRANSISTOR		
Q654	2SB709A/QR/-X	TRANSISTOR		
Q701	UNR9212J-X	DIGI TRANSISTOR		
Q702	2SB709A/QR/-X	TRANSISTOR		
Q703	UNR9212J-X	DIGI TRANSISTOR		
Q741	2SC4097/R/-X	TRANSISTOR		
Q742	2SC4097/R/-X	TRANSISTOR		
Q841	UPA1890GR-9JG-X	POWER MOS FET		
Q842	UPA1890GR-9JG-X	POWER MOS FET		
D601	RB521S-30-X	SB DIODE		
D602	MA111-X	SI DIODE		
D603	MA8150/M/-X	Z DIODE		
D701	MA111-X	SI DIODE		
D761	MA111-X	SI DIODE		
D762	MA357-X	VARI CAP DIODE		
D781	RB521S-30-X	SB DIODE		
D782	RB521S-30-X	SB DIODE		
D841	MA8047/M/-X	Z DIODE		
D842	MA8047/M/-X	Z DIODE		
D851	BAV99L-X	SI DIODE		
D852	BAV99L-X	SI DIODE		
D901	RSX201L-30-X	SB DIODE		
D902	RSX201L-30-X	SB DIODE		
C501	NCB31HK-103X	C CAPACITOR	0.01uF 50V K	
C502	NCB31HK-103X	C CAPACITOR	0.01uF 50V K	
C503	NCB31CK-104X	C CAPACITOR	0.1uF 16V K	
C504	NCB31CK-104X	C CAPACITOR	0.1uF 16V K	
C505	NCJ11EK-106X-R	C CAPACITOR		
C506	NCB21EK-104X	C CAPACITOR	0.1uF 25V K	
C511	NCB31CK-104X	C CAPACITOR	0.1uF 16V K	
C521	NCB31CK-104X	C CAPACITOR	0.1uF 16V K	
C601	NCB30JK-105X	C CAPACITOR	1uF 6.3V K	
C602	NBE51AM-107X	TA E CAPACITOR	100uF 10V M	
C603	NCB31CK-104X	C CAPACITOR	0.1uF 16V K	
C604	NCB31CK-104X	C CAPACITOR	0.1uF 16V K	
C605	NCB31CK-104X	C CAPACITOR	0.1uF 16V K	

△ Symbol No.	Part No.	Part Name	Description	Local
C606	NCB31CK-104X	C CAPACITOR	0.1uF 16V K	
C607	NCB31CK-224X	C CAPACITOR	0.22uF 16V K	
C608	NCB31HK-471X	C CAPACITOR	470pF 50V K	
C609	NBE21AM-106X	TA E CAPACITOR	10uF 10V M	
C611	NCB31HK-682X	C CAPACITOR	6800pF 50V K	
C612	NCB30JK-105X	C CAPACITOR	1uF 6.3V K	
C613	NCB31CK-104X	C CAPACITOR	0.1uF 16V K	
C614	NCB31HK-223X	C CAPACITOR	0.022uF 50V K	
C615	NDC31HJ-8R0X	C CAPACITOR	8pF 50V J	
C616	NCB31AK-474X	C CAPACITOR	0.47uF 10V K	
C617	NCB31HK-103X	C CAPACITOR	0.01uF 50V K	
C618	NDC31HJ-8R0X	C CAPACITOR	8pF 50V J	
C621	NCB31CK-104X	C CAPACITOR	0.1uF 16V K	
C622	NBE41AM-476X	TA E CAPACITOR	47uF 10V M	
C623	NCJ11EK-106X-R	C CAPACITOR		
C624	NCB31CK-104X	C CAPACITOR	0.1uF 16V K	
C625	NCB31CK-104X	C CAPACITOR	0.1uF 16V K	
C626	NCJ11EK-106X-R	C CAPACITOR		
C630	NCB31CK-104X	C CAPACITOR	0.1uF 16V K	
C631	NDC31HJ-220X	C CAPACITOR	22pF 50V J	
C632	NDC31HJ-270X	C CAPACITOR	27pF 50V J	
C633	NCB30JK-105X	C CAPACITOR	1uF 6.3V K	
C634	NBE51AM-107X	TA E CAPACITOR	100uF 10V M	
C635	NCB31CK-104X	C CAPACITOR	0.1uF 16V K	
C636	NCB31CK-333X	C CAPACITOR	0.033uF 16V K	
C637	NCB31CK-333X	C CAPACITOR	0.033uF 16V K	
C638	NCB31CK-333X	C CAPACITOR	0.033uF 16V K	
C639	NBE41AM-476X	TA E CAPACITOR	47uF 10V M	
C640	NCB31CK-104X	C CAPACITOR	0.1uF 16V K	
C651	NCB31CK-104X	C CAPACITOR	0.1uF 16V K	
C652	NCJ11EK-106X-R	C CAPACITOR		
C653	NCJ11EK-106X-R	C CAPACITOR		
C654	NCB31CK-104X	C CAPACITOR	0.1uF 16V K	
C655	NCJ11EK-106X-R	C CAPACITOR		
C656	NCB31CK-104X	C CAPACITOR	0.1uF 16V K	
C692	NCB31HK-103X	C CAPACITOR	0.01uF 50V K	
C693	NBE41AM-476X	TA E CAPACITOR	47uF 10V M	
C694	NCB31AK-474X	C CAPACITOR	0.47uF 10V K	
C701	NCB31CK-104X	C CAPACITOR	0.1uF 16V K	
C702	NDC31HJ-180X	C CAPACITOR	18pF 50V J	
C703	NDC31HJ-180X	C CAPACITOR	18pF 50V J	
C704	NDC31HJ-180X	C CAPACITOR	18pF 50V J	
C705	NDC31HJ-180X	C CAPACITOR	18pF 50V J	
C706	NDC31HJ-180X	C CAPACITOR	18pF 50V J	
C707	NDC31HJ-180X	C CAPACITOR	18pF 50V J	
C708	NDC31HJ-180X	C CAPACITOR	18pF 50V J	
C709	NDC31HJ-180X	C CAPACITOR	18pF 50V J	
C711	NDC31HJ-180X	C CAPACITOR	18pF 50V J	
C712	NDC31HJ-180X	C CAPACITOR	18pF 50V J	
C713	NDC31HJ-180X	C CAPACITOR	18pF 50V J	
C714	NDC31HJ-180X	C CAPACITOR	18pF 50V J	
C715	NDC31HJ-180X	C CAPACITOR	18pF 50V J	
C716	NDC31HJ-470X	C CAPACITOR	47pF 50V J	
C717	NCB31CK-104X	C CAPACITOR	0.1uF 16V K	
C718	NBE41AM-476X	TA E CAPACITOR	47uF 10V M	
C719	NCB31CK-224X	C CAPACITOR	0.22uF 16V K	
C721	NCB31CK-224X	C CAPACITOR	0.22uF 16V K	
C722	NCB31HK-103X	C CAPACITOR	0.01uF 50V K	
C723	NCB31HK-103X	C CAPACITOR	0.01uF 50V K	
C724	NCB31HK-561X	C CAPACITOR	560pF 50V K	
C725	NCB31HK-103X	C CAPACITOR	0.01uF 50V K	
C741	NCB31HK-821X	C CAPACITOR	820pF 50V K	
C742	NDC31HJ-221X	C CAPACITOR	220pF 50V J	
C743	NDC31HJ-221X	C CAPACITOR	220pF 50V J	
C745	NBE41AM-476X	TA E CAPACITOR	47uF 10V M	
C747	NCB31CK-104X	C CAPACITOR	0.1uF 16V K	
C761	NCB31CK-104X	C CAPACITOR	0.1uF 16V K	
C762	NBE41AM-476X	TA E CAPACITOR	47uF 10V M	
C763	NCB31CK-104X	C CAPACITOR	0.1uF 16V K	
C764	NCB30JK-105X	C CAPACITOR	1uF 6.3V K	
C765	NCB31HK-561X	C CAPACITOR	560pF 50V K	
C766	NCB31CK-104X	C CAPACITOR	0.1uF 16V K	
C767	NCB31HK-102X	C CAPACITOR	1000pF 50V K	
C768	NCB31HK-103X	C CAPACITOR	0.01uF 50V K	
C769	NCB31HK-103X	C CAPACITOR	0.01uF 50V K	
C781	NCB31CK-104X	C CAPACITOR	0.1uF 16V K	
C782	NBE41AM-476X	TA E CAPACITOR	47uF 10V M	
C783	NCB31CK-104X	C CAPACITOR	0.1uF 16V K	

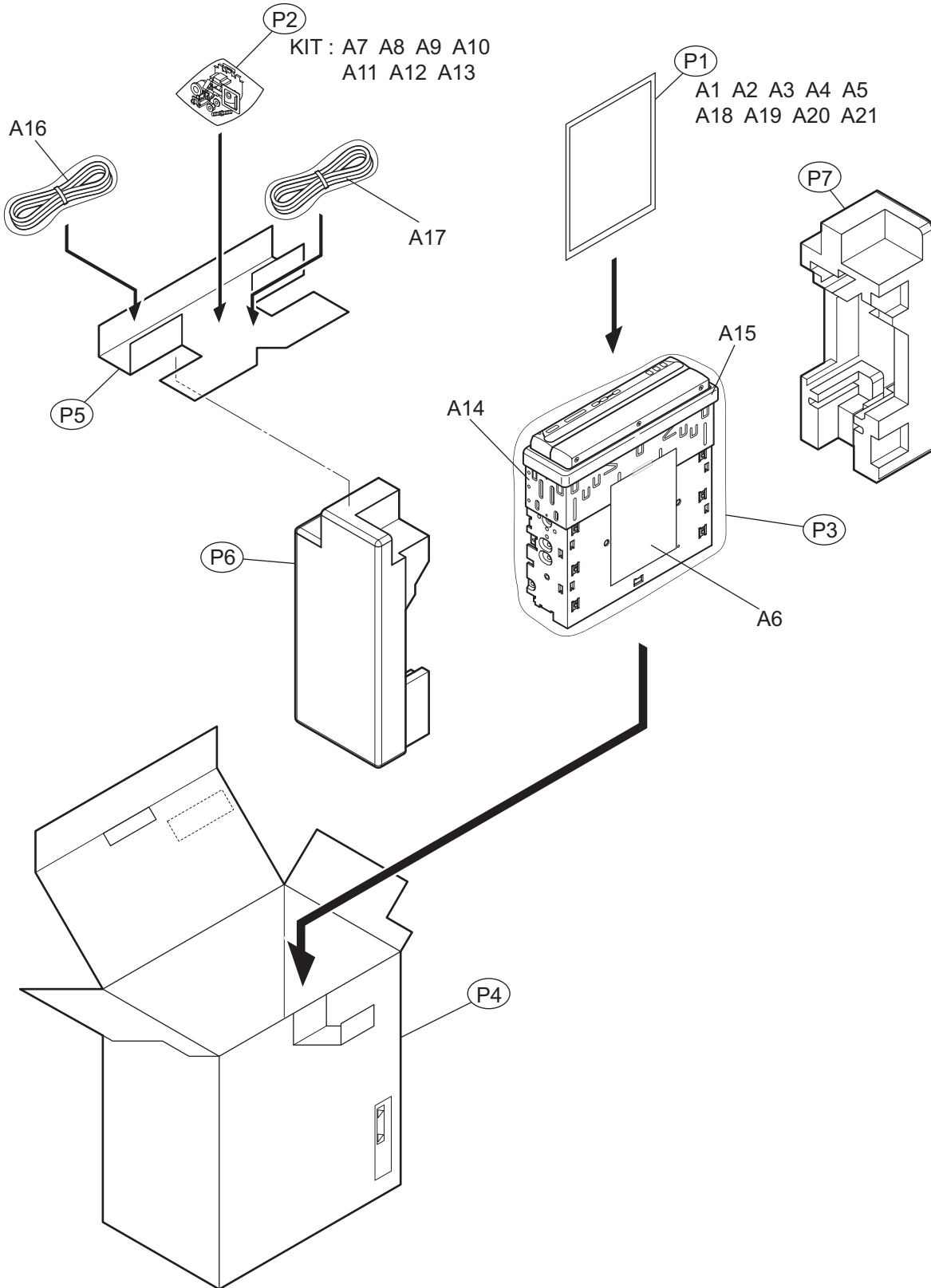
△ Symbol No.	Part No.	Part Name	Description	Local	△ Symbol No.	Part No.	Part Name	Description	Local
C784	NBE41AM-476X	TA E CAPACITOR	47uF 10V M		R514	NRSA63J-101X	MG RESISTOR	100Ω 1/16W J	
C785	NCJ11EK-106X-R	C CAPACITOR			R521	NRSA63J-333X	MG RESISTOR	33kΩ 1/16W J	
C786	NBE41AM-476X	TA E CAPACITOR	47uF 10V M		R522	NRSA63J-333X	MG RESISTOR	33kΩ 1/16W J	
C787	NCJ11EK-106X-R	C CAPACITOR			R523	NRSA63J-333X	MG RESISTOR	33kΩ 1/16W J	
C788	NCB31CK-104X	C CAPACITOR	0.1uF 16V K		R524	NRSA63J-333X	MG RESISTOR	33kΩ 1/16W J	
C789	NCB31CK-104X	C CAPACITOR	0.1uF 16V K		R525	NRSA63J-223X	MG RESISTOR	22kΩ 1/16W J	
C791	NCB31CK-104X	C CAPACITOR	0.1uF 16V K		R526	NRSA63J-223X	MG RESISTOR	22kΩ 1/16W J	
C792	NCB31CK-104X	C CAPACITOR	0.1uF 16V K		R527	NRSA63J-223X	MG RESISTOR	22kΩ 1/16W J	
C793	NCB31CK-104X	C CAPACITOR	0.1uF 16V K		R528	NRSA63J-223X	MG RESISTOR	22kΩ 1/16W J	
C795	NCJ11EK-106X-R	C CAPACITOR			R531	NRSA63J-0R0X	MG RESISTOR	0Ω 1/16W J	
C801	NCJ11EK-106X-R	C CAPACITOR			R532	NRSA63J-102X	MG RESISTOR	1kΩ 1/16W J	
C802	NCB31CK-104X	C CAPACITOR	0.1uF 16V K		R533	NRSA63J-102X	MG RESISTOR	1kΩ 1/16W J	
C803	NCB31CK-104X	C CAPACITOR	0.1uF 16V K		R534	NRSA63J-102X	MG RESISTOR	1kΩ 1/16W J	
C804	NCJ11EK-106X-R	C CAPACITOR			R601	NRSA63J-101X	MG RESISTOR	100Ω 1/16W J	
C811	NCB31HK-103X	C CAPACITOR	0.01uF 50V K		R602	NRSA63J-271X	MG RESISTOR	270Ω 1/16W J	
C812	NCB30JK-105X	C CAPACITOR	1uF 6.3V K		R603	NRSA63F-183X	MG RESISTOR	18kΩ 1/16W F	
C813	NCB31AK-474X	C CAPACITOR	0.47uF 10V K		R604	NRSA63J-0R0X	MG RESISTOR	0Ω 1/16W J	
C814	NCB31CK-104X	C CAPACITOR	0.1uF 16V K		R605	NRSA63J-471X	MG RESISTOR	470Ω 1/16W J	
C815	NDC31HJ-101X	C CAPACITOR	100pF 50V J		R606	NRSA63J-151X	MG RESISTOR	150Ω 1/16W J	
C816	NCB31CK-104X	C CAPACITOR	0.1uF 16V K		R607	NRSA63J-471X	MG RESISTOR	470Ω 1/16W J	
C817	NCB31CK-153X	C CAPACITOR	0.015uF 16V K		R608	NRSA63J-105X	MG RESISTOR	1MΩ 1/16W J	
C818	NDC31HJ-221X	C CAPACITOR	220pF 50V J		R609	NRSA63J-105X	MG RESISTOR	1MΩ 1/16W J	
C819	NDC31HJ-101X	C CAPACITOR	100pF 50V J		R611	NRSA63J-562X	MG RESISTOR	5.6kΩ 1/16W J	
C821	NDC31HJ-101X	C CAPACITOR	100pF 50V J		R612	NRSA63J-822X	MG RESISTOR	8.2kΩ 1/16W J	
C822	NCB31CK-473X	C CAPACITOR	0.047uF 16V K		R613	NRSA63J-222X	MG RESISTOR	2.2kΩ 1/16W J	
C823	NCB31HK-102X	C CAPACITOR	1000pF 50V K		R614	NRSA63J-681X	MG RESISTOR	680Ω 1/16W J	
C824	NDC31HJ-101X	C CAPACITOR	100pF 50V J		R615	NRSA63J-101X	MG RESISTOR	100Ω 1/16W J	
C825	NDC31HJ-101X	C CAPACITOR	100pF 50V J		R616	NRSA63J-101X	MG RESISTOR	100Ω 1/16W J	
C831	NQR0450-001X	EMI FILTER	0.022uF 50V M		R617	NRSA63J-101X	MG RESISTOR	100Ω 1/16W J	
C832	NCJ11EK-106X-R	C CAPACITOR			R618	NRSA63J-0R0X	MG RESISTOR	0Ω 1/16W J	
C833	NCJ11EK-106X-R	C CAPACITOR			R619	NRSA63J-0R0X	MG RESISTOR	0Ω 1/16W J	
C834	NCJ11EK-106X-R	C CAPACITOR			R620	NRSA63J-394X	MG RESISTOR	390kΩ 1/16W J	
C835	NCJ11EK-106X-R	C CAPACITOR			R621	NRSA63J-103X	MG RESISTOR	10kΩ 1/16W J	
C836	NCJ11EK-106X-R	C CAPACITOR			R622	NRSA63J-103X	MG RESISTOR	10kΩ 1/16W J	
C841	NCB31CK-473X	C CAPACITOR	0.047uF 16V K		R626	NRSA63J-153X	MG RESISTOR	15kΩ 1/16W J	
C842	NCB31CK-473X	C CAPACITOR	0.047uF 16V K		R631	NRSA63J-332X	MG RESISTOR	3.3kΩ 1/16W J	
C843	NCJ11EK-106X-R	C CAPACITOR			R632	NRSA63J-102X	MG RESISTOR	1kΩ 1/16W J	
C844	NCJ11EK-106X-R	C CAPACITOR			R633	NRSA63J-103X	MG RESISTOR	10kΩ 1/16W J	
C851	NCJ11EK-106X-R	C CAPACITOR			R634	NRSA63J-332X	MG RESISTOR	3.3kΩ 1/16W J	
C852	NCB31CK-104X	C CAPACITOR	0.1uF 16V K		R635	NRSA63J-102X	MG RESISTOR	1kΩ 1/16W J	
C853	NCZ1011-100X	C CAPACITOR	10pF		R636	NRSA63J-103X	MG RESISTOR	10kΩ 1/16W J	
C854	NCB31EK-153X	C CAPACITOR	0.015uF 25V K		R637	NRSA63J-332X	MG RESISTOR	3.3kΩ 1/16W J	
C855	NCB31HK-102X	C CAPACITOR	1000pF 50V K		R638	NRSA63J-102X	MG RESISTOR	1kΩ 1/16W J	
C901	NCJ11EK-106X-R	C CAPACITOR			R639	NRSA63J-103X	MG RESISTOR	10kΩ 1/16W J	
C902	NCJ11EK-106X-R	C CAPACITOR			R652	NRSA63J-153X	MG RESISTOR	15kΩ 1/16W J	
C903	NCB31CK-104X	C CAPACITOR	0.1uF 16V K		R653	NRSA63J-683X	MG RESISTOR	68kΩ 1/16W J	
C904	NCB11EK-105X	C CAPACITOR	1uF 25V K		R655	NRSA63J-101X	MG RESISTOR	100Ω 1/16W J	
C905	NCB11EK-105X	C CAPACITOR	1uF 25V K		R656	NRSA63J-103X	MG RESISTOR	10kΩ 1/16W J	
C906	NCJ11EK-106X-R	C CAPACITOR			R657	NRSA63J-103X	MG RESISTOR	10kΩ 1/16W J	
C907	NCJ11EK-106X-R	C CAPACITOR			R658	NRSA63J-390X	MG RESISTOR	39Ω 1/16W J	
C908	NCJ11EK-106X-R	C CAPACITOR			R659	NRSA63J-390X	MG RESISTOR	39Ω 1/16W J	
C909	NCJ11EK-106X-R	C CAPACITOR			R661	NRSA63J-0R0X	MG RESISTOR	0Ω 1/16W J	
C910	NCJ11EK-106X-R	C CAPACITOR			R663	NRSA63J-1R0X	MG RESISTOR	1Ω 1/16W J	
C911	NCJ11EK-106X-R	C CAPACITOR			R664	NRSA63J-1R0X	MG RESISTOR	1Ω 1/16W J	
C912	NCJ11EK-106X-R	C CAPACITOR			R691	NRSA63J-151X	MG RESISTOR	150Ω 1/16W J	
C913	NCJ11EK-106X-R	C CAPACITOR			R692	NRSA63J-151X	MG RESISTOR	150Ω 1/16W J	
C914	NCJ11EK-106X-R	C CAPACITOR			R694	NRSA63J-0R0X	MG RESISTOR	0Ω 1/16W J	
C915	NCJ11EK-106X-R	C CAPACITOR			R695	NRSA63J-0R0X	MG RESISTOR	0Ω 1/16W J	
C916	NCJ11EK-106X-R	C CAPACITOR			R696	NRSA63J-0R0X	MG RESISTOR	0Ω 1/16W J	
C917	NCJ11EK-106X-R	C CAPACITOR			R701	NRSA63J-102X	MG RESISTOR	1kΩ 1/16W J	
C921	NCB31HK-103X	C CAPACITOR	0.01uF 50V K		R703	NRSA63J-102X	MG RESISTOR	1kΩ 1/16W J	
C922	NCB31CK-104X	C CAPACITOR	0.1uF 16V K		R704	NRSA63J-333X	MG RESISTOR	33kΩ 1/16W J	
C923	NBE41AM-476X	TA E CAPACITOR	47uF 10V M		R705	NRSA63J-333X	MG RESISTOR	33kΩ 1/16W J	
C924	NCB30JK-105X	C CAPACITOR	1uF 6.3V K		R706	NRSA63J-101X	MG RESISTOR	100Ω 1/16W J	
C931	NCJ11EK-106X-R	C CAPACITOR			R707	NRSA63J-101X	MG RESISTOR	100Ω 1/16W J	
C932	NCB11EK-105X	C CAPACITOR	1uF 25V K		R708	NRSA63J-101X	MG RESISTOR	100Ω 1/16W J	
C933	NCB31CK-104X	C CAPACITOR	0.1uF 16V K		R709	NRSA63J-101X	MG RESISTOR	100Ω 1/16W J	
C934	NCJ11EK-106X-R	C CAPACITOR			R711	NRSA63J-101X	MG RESISTOR	100Ω 1/16W J	
					R712	NRSA63J-101X	MG RESISTOR	100Ω 1/16W J	
R501	NRSA63J-0R0X	MG RESISTOR	0Ω 1/16W J		R713	NRSA63J-101X	MG RESISTOR	100Ω 1/16W J	
R502	NRSA63J-0R0X	MG RESISTOR	0Ω 1/16W J		R714	NRSA63J-101X	MG RESISTOR	100Ω 1/16W J	
R503	NRSA63J-0R0X	MG RESISTOR	0Ω 1/16W J		R715	NRSA63J-101X	MG RESISTOR	100Ω 1/16W J	
R504	NRSA63J-101X	MG RESISTOR	100Ω 1/16W J		R717	NRSA63J-101X	MG RESISTOR	100Ω 1/16W J	
R505	NRSA63J-101X	MG RESISTOR	100Ω 1/16W J		R721	NRSA63J-101X	MG RESISTOR	100Ω 1/16W J	
R506	NRSA63J-101X	MG RESISTOR	100Ω 1/16W J		R722	NRSA63J-474X	MG RESISTOR	470kΩ 1/16W J	
R511	NRSA63J-103X	MG RESISTOR	10kΩ 1/16W J		R723	NRSA63J-102X	MG RESISTOR	1kΩ 1/16W J	
R512	NRSA63J-103X	MG RESISTOR	10kΩ 1/16W J		R724	NRSA63J-103X	MG RESISTOR	10kΩ 1/16W J	
R513	NRSA63J-101X	MG RESISTOR	100Ω 1/16W J		R725	NRSA63J-562X	MG RESISTOR	5.6kΩ 1/16W J	

△ Symbol No.	Part No.	Part Name	Description	Local	△ Symbol No.	Part No.	Part Name	Description	Local
R727	NRSA63J-102X	MG RESISTOR	1kΩ 1/16W J		L783	NQL085J-470X	COIL	47uH J	
R728	NRSA63J-102X	MG RESISTOR	1kΩ 1/16W J		L784	NQL085J-470X	COIL	47uH J	
R729	NRSA63J-102X	MG RESISTOR	1kΩ 1/16W J		L785	NQL085J-470X	COIL	47uH J	
R731	NRSA63J-223X	MG RESISTOR	22kΩ 1/16W J		L901	NQL32CM-470X	COIL	47uH M	
R732	NRSA63J-273X	MG RESISTOR	27kΩ 1/16W J		L902	NQL49CM-100X	COIL	10uH M	
R733	NRSA63J-333X	MG RESISTOR	33kΩ 1/16W J		L904	NQL085J-470X	COIL	47uH J	
R734	NRSA63J-333X	MG RESISTOR	33kΩ 1/16W J		L905	NQL085J-470X	COIL	47uH J	
R735	NRSA63J-272X	MG RESISTOR	2.7kΩ 1/16W J		L906	NQL085J-470X	COIL	47uH J	
R741	NRSA63J-102X	MG RESISTOR	1kΩ 1/16W J		L907	NQL085J-470X	COIL	47uH J	
R742	NRSA63J-102X	MG RESISTOR	1kΩ 1/16W J		L908	NQL085J-470X	COIL	47uH J	
R743	NRSA63J-683X	MG RESISTOR	68kΩ 1/16W J		L909	NQL085J-470X	COIL	47uH J	
R744	NRSA63J-683X	MG RESISTOR	68kΩ 1/16W J		T851	NQR0596-001	C FL TRANSF		
R745	NRSA63J-683X	MG RESISTOR	68kΩ 1/16W J						
R746	NRSA63J-152X	MG RESISTOR	1.5kΩ 1/16W J		CN501	QGF0522F1-24W	CONNECTOR	FFC/FPC (1-24)	
R747	NRSA63J-103X	MG RESISTOR	10kΩ 1/16W J		CN791	QGF0523F3-30W	CONNECTOR	FFC/FPC (1-30)	
R748	NRSA63J-0R0X	MG RESISTOR	0Ω 1/16W J		CN851	QGA3501F1-02X	CONNECTOR	W-B (1-2)	
R749	NRSA63J-101X	MG RESISTOR	100Ω 1/16W J		F831	NMFZ018-2R5X-E	FUSE	2.5A	
R751	NRSA63J-101X	MG RESISTOR	100Ω 1/16W J		K501	NQR0251-004X	FERRITE BEADS		
R752	NRSA63J-564X	MG RESISTOR	560kΩ 1/16W J		K502	NQR0251-004X	FERRITE BEADS		
R761	NRSA63J-562X	MG RESISTOR	5.6kΩ 1/16W J		K503	NQR0251-004X	FERRITE BEADS		
R762	NRSA63J-332X	MG RESISTOR	3.3kΩ 1/16W J		K504	NQR0251-004X	FERRITE BEADS		
R763	NRSA63J-473X	MG RESISTOR	47kΩ 1/16W J		K505	NQR0251-004X	FERRITE BEADS		
R764	NRSA63J-683X	MG RESISTOR	68kΩ 1/16W J		K506	NQR0251-004X	FERRITE BEADS		
R765	NRSA63J-223X	MG RESISTOR	22kΩ 1/16W J		K507	NQR0251-004X	FERRITE BEADS		
R766	NRSA63J-105X	MG RESISTOR	1MΩ 1/16W J		K508	NQR0251-004X	FERRITE BEADS		
R767	NRSA63J-683X	MG RESISTOR	68kΩ 1/16W J		K701	NQR0251-004X	FERRITE BEADS		
R768	NRSA63J-103X	MG RESISTOR	10kΩ 1/16W J		K702	NQR0251-004X	FERRITE BEADS		
R769	NRSA63J-332X	MG RESISTOR	3.3kΩ 1/16W J		LC701	NQR0321-001X	EMI FILTER		
R771	NRSA63J-103X	MG RESISTOR	10kΩ 1/16W J		LC702	NQR0321-001X	EMI FILTER		
R772	NRSA63J-122X	MG RESISTOR	1.2kΩ 1/16W J		LC703	NQR0321-001X	EMI FILTER		
R773	NRSA63J-105X	MG RESISTOR	1MΩ 1/16W J		TH501	NAD0025-223X	N THERMISTOR	22kΩ	
R781	NRSA63J-512X	MG RESISTOR	5.1kΩ 1/16W J		TP502	NNZ0009-001X	TEST POINT		
R782	NRSA63J-472X	MG RESISTOR	4.7kΩ 1/16W J		TP513	NNZ0009-001X	TEST POINT		
R783	NRSA63J-0R0X	MG RESISTOR	0Ω 1/16W J		TP651	NNZ0009-001X	TEST POINT		
R784	NRSA63J-0R0X	MG RESISTOR	0Ω 1/16W J		TP704	NNZ0009-001X	TEST POINT		
R811	NRSA63J-333X	MG RESISTOR	33kΩ 1/16W J		TP705	NNZ0009-001X	TEST POINT		
R812	NRSA63J-124X	MG RESISTOR	120kΩ 1/16W J		TP706	NNZ0009-001X	TEST POINT		
R813	NRSA63J-470X	MG RESISTOR	47Ω 1/16W J		TP708	NNZ0009-001X	TEST POINT		
R814	NRSA63J-470X	MG RESISTOR	47Ω 1/16W J		TP761	NNZ0009-001X	TEST POINT		
R815	NRSA63J-513X	MG RESISTOR	51kΩ 1/16W J		X601	NAX0727-001X	CRYSTAL		
R816	NRSA63J-470X	MG RESISTOR	47Ω 1/16W J		X602	NAX0728-001X	CRYSTAL		
R817	NRSA63J-470X	MG RESISTOR	47Ω 1/16W J						
R841	NRSA63J-512X	MG RESISTOR	5.1kΩ 1/16W J						
R842	NRSA63J-512X	MG RESISTOR	5.1kΩ 1/16W J						
R851	NRSA63J-105X	MG RESISTOR	1MΩ 1/16W J						
R852	NRSA63J-513X	MG RESISTOR	51kΩ 1/16W J						
R853	NRSA63J-471X	MG RESISTOR	470Ω 1/16W J						
R901	NRSA63J-914X	MG RESISTOR	910kΩ 1/16W J						
R902	NRSA63J-333X	MG RESISTOR	33kΩ 1/16W J						
R903	NRSA63J-104X	MG RESISTOR	100kΩ 1/16W J						
R904	NRSA63J-753X	MG RESISTOR	75kΩ 1/16W J						
R905	NRSA63J-103X	MG RESISTOR	10kΩ 1/16W J						
R906	NRSA63J-0R0X	MG RESISTOR	0Ω 1/16W J						
R907	NRSA63J-0R0X	MG RESISTOR	0Ω 1/16W J						
R909	NRSA63J-0R0X	MG RESISTOR	0Ω 1/16W J						
R910	NRSA63J-0R0X	MG RESISTOR	0Ω 1/16W J						
R911	NRSA63J-0R0X	MG RESISTOR	0Ω 1/16W J						
R912	NRSA63J-0R0X	MG RESISTOR	0Ω 1/16W J						
R913	NRSA63J-0R0X	MG RESISTOR	0Ω 1/16W J						
R914	NRSA63J-0R0X	MG RESISTOR	0Ω 1/16W J						
R915	NRSA63J-0R0X	MG RESISTOR	0Ω 1/16W J						
L601	NQL085J-470X	COIL	47uH J						
L602	NQL085J-470X	COIL	47uH J						
L603	NQL085J-470X	COIL	47uH J						
L631	NQL085J-330X	COIL	33uH J						
L632	NQL085J-220X	COIL	22uH J						
L633	NQL085J-220X	COIL	22uH J						
L651	NQL085J-470X	COIL	47uH J						
L652	NQL085J-470X	COIL	47uH J						
L691	NQL085J-220X	COIL	22uH J						
L701	NQL334J-1R5X	COIL	1.5uH J						
L702	NQL085J-470X	COIL	47uH J						
L741	NQL085J-470X	COIL	47uH J						
L761	NQL085J-470X	COIL	47uH J						
L762	NQR0288-004X	FERRITE BEADS							
L781	NQL085J-470X	COIL	47uH J						
L782	NQL085J-470X	COIL	47uH J						

Packing materials and accessories parts list

Block No. M 3 M M

No additional / supplemental order of WARRANTY CARDS are available.



Packing and Accessories

Block No. [M][3][M][M]

△ Symbol No.	Part No.	Part Name	Description	Local
A 1	LVT1483-001A	INST BOOK	ENG GER FRE DUT	M705E,M706E
A 1	LVT1484-001A	INST BOOK	ING SPA FRE	M706J
A 1	LVT1399-002A	INST BOOK	TUR ARA PER	M705U,M706U
A 1	LVT1399-003A	INST BOOK	ENG INA	M705HUN,M705UN,M706UN
A 1	LVT1399-001A	INST BOOK	ENG CHI(TAIWAN) KOR THA	M705UT,M706UT
A 2	LVT1483-003A	INSTALL MANUAL		M705E,M706E
A 2	LVT1484-002A	INSTALL MANUAL		M706J
A 2	LVT1399-005A	INSTALL MANUAL		M705U,M706U
A 2	LVT1399-006A	INSTALL MANUAL		M705HUN,M705UN,M706UN
A 2	LVT1399-004A	INSTALL MANUAL		M705UT,M706UT
A 3	-----	WARRANTY CARD	BT-51018-4	M706J
A 4	BT-51034-2	REGISTRATION CARD		M706J
A 5	-----	WARRANTY CARD	BT-52006-2	M706J
A 6	LVT1484-003A	CAUTION SHEET		M705E,M706E,M706J
A 6	LVT1451-002A	CAUTION SHEET		M705HUN,M705U,M705UN,M705UT M706U,M706UN,M706UT
A 7	VKZ4027-202	PLUG NUT		M705E,M705U,M705UN,M705UT M706E,M706J,M706U,M706UN,M706UT
A 8	VKH4871-003	MOUNT BOLT		M705E,M705U,M705UN,M705UT M706E,M706J,M706U,M706UN,M706UT
A 9	VKZ4328-003	LOCK NUT		M705E,M705U,M705UN,M705UT M706E,M706J,M706U,M706UN,M706UT
A 10	QYWSS50A010ZA	WASHER	0.1mm/5mm x	M705E,M705U,M705UN,M705UT M706E,M706J,M706U,M706UN,M706UT
A 11	LV35136-001A	HOOK	(x2)	M705E,M705U,M705UN,M705UT M706E,M706J,M706U,M706UN,M706UT
A 12	LV41478-002A	CORD CONNECTOR	(x2)	M705E,M705U,M705UN,M705UT M706E,M706J,M706U,M706UN,M706UT
A 13	LV35134-002A	SIDE SPRING A	(x2)	M705E,M705U,M705UN,M705UT M706E,M706J,M706U,M706UN,M706UT
A 14	LV21778-002A	MOUNTING SLEEVE		M705E,M705U,M705UN,M705UT M706E,M706J,M706U,M706UN,M706UT
A 15	LV21779-002A	TRIM PLATE		M705E,M705U,M705UN,M705UT
A 15	LV21779-001A	TRIM PLATE		M706E,M706J,M706U,M706UN,M706UT
A 16	QAM0776-001	CAR CABLE		M705E,M705U,M705UN,M705UT M706E,M706J,M706U,M706UN,M706UT
A 17	QAM0788-001	VIDEO CABLE		M705E,M705U,M705UN,M705UT M706E,M706J,M706U,M706UN,M706UT
A 18	LVT1483-002A	INST BOOK	SPA ITA RUS SWE	M705E,M706E
A 18	LVT1399-001A	INST BOOK	ENG CHI(TAIWAN) KOR THA	M705U,M706U
A 19	LVT1483-004A	INSTALL MANUAL		M705E,M706E
A 19	LVT1399-004A	INSTALL MANUAL		M705U,M706U
A 20	LVT1435-001A	INST SHEET		M705E,M706E
A 21	-----	WARRANTY CARD	BT-54027-1	M705E,M706E
KIT	SRW-M705U	SCREW PART KIT	A11 A12 A13 A14 A15 A16 A17	
P 1	FSPG4002-001	POLY BAG		
P 2	QPA01001205	POLY BAG	10cm x 12cm	M705E,M705U,M705UN,M705UT M706E,M706J,M706U,M706UN,M706UT
P 3	QPC03004315P	POLY BAG	30cm x 43cm	
P 4	LV36189-004A	CARTON		M705E
P 4	LV36503-003A	CARTON		M705HUN
P 4	LV36189-003A	CARTON		M705U,M705UN,M705UT
P 4	LV36190-004A	CARTON		M706E
P 4	LV36775-001A	CARTON		M706J
P 4	LV36190-003A	CARTON		M706U,M706UN,M706UT
P 5	LV36719-001A	CARTON		M705E,M705U,M705UN,M705UT M706E,M706J,M706U,M706UN,M706UT
P 6	LV11148-002A	CUSHION(L)		
P 7	LV11149-002A	CUSHION(R)		